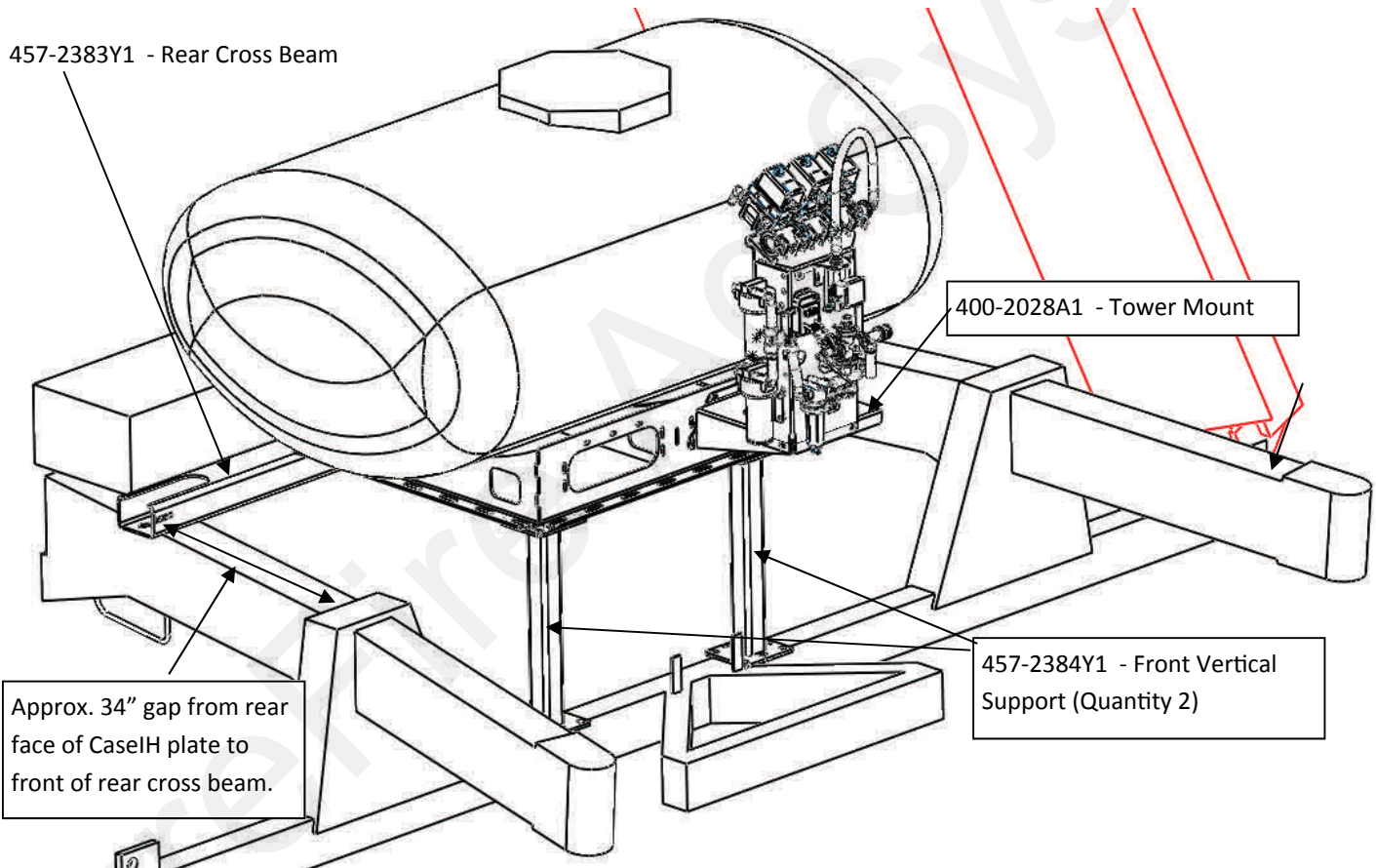




396-2727Y1

# CaseIH 500/500T 40' Air Drill Tank Mount Instructions for 500 gallon elliptical tank

Air Drill Manufacturer:



#### Assembly Steps:

1. Place rear cross beam on drill frame approx. 34" behind CaseIH plate as shown. Loosely attach with two 3/4" x 6"x11" U-bolts.
2. Loosely attach front supports. Note that front right support will mount at the corner of the tank. Front left support will mount just to the left of center. It can not mount at the corner of the tank due to CaseIH hydraulic block.
3. Mount tank to rear cross beam and front vertical supports.
- 4.

## CaseIH 500/500T 40" Tank Picture



The fertilizer tube mounting on a 500T drill is shown at left. There are both left and right tubes for use on appropriate sides of the drill.