



396-2645Y1

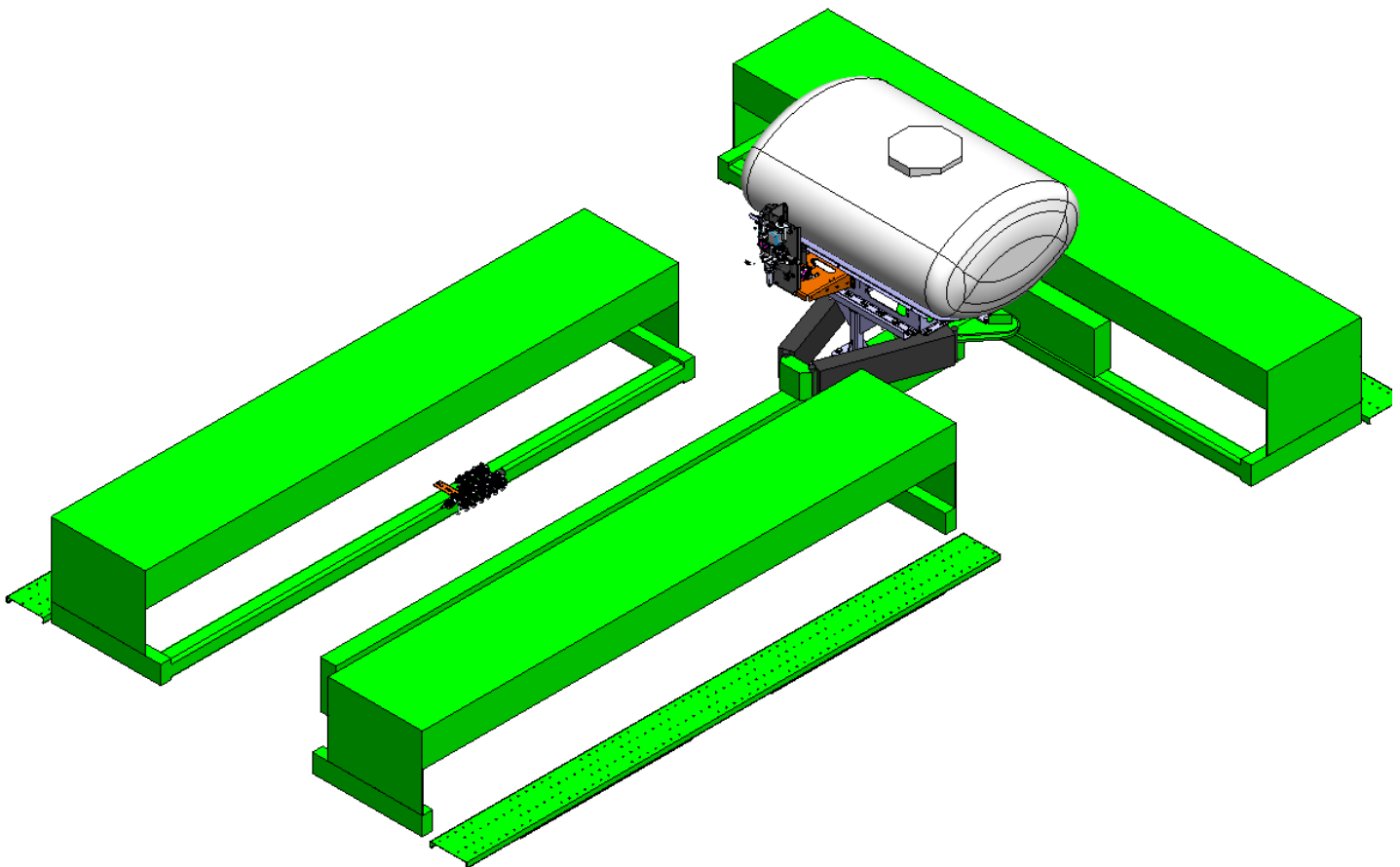
Fill and Discharge Plumbing Kits

30' 40' & 50' Drills

Drill Manufacturer:



Fill Kit: 555-101350
Tower Discharge Kit: 556-1001
PumpRight Discharge Kit: 520-00-103600

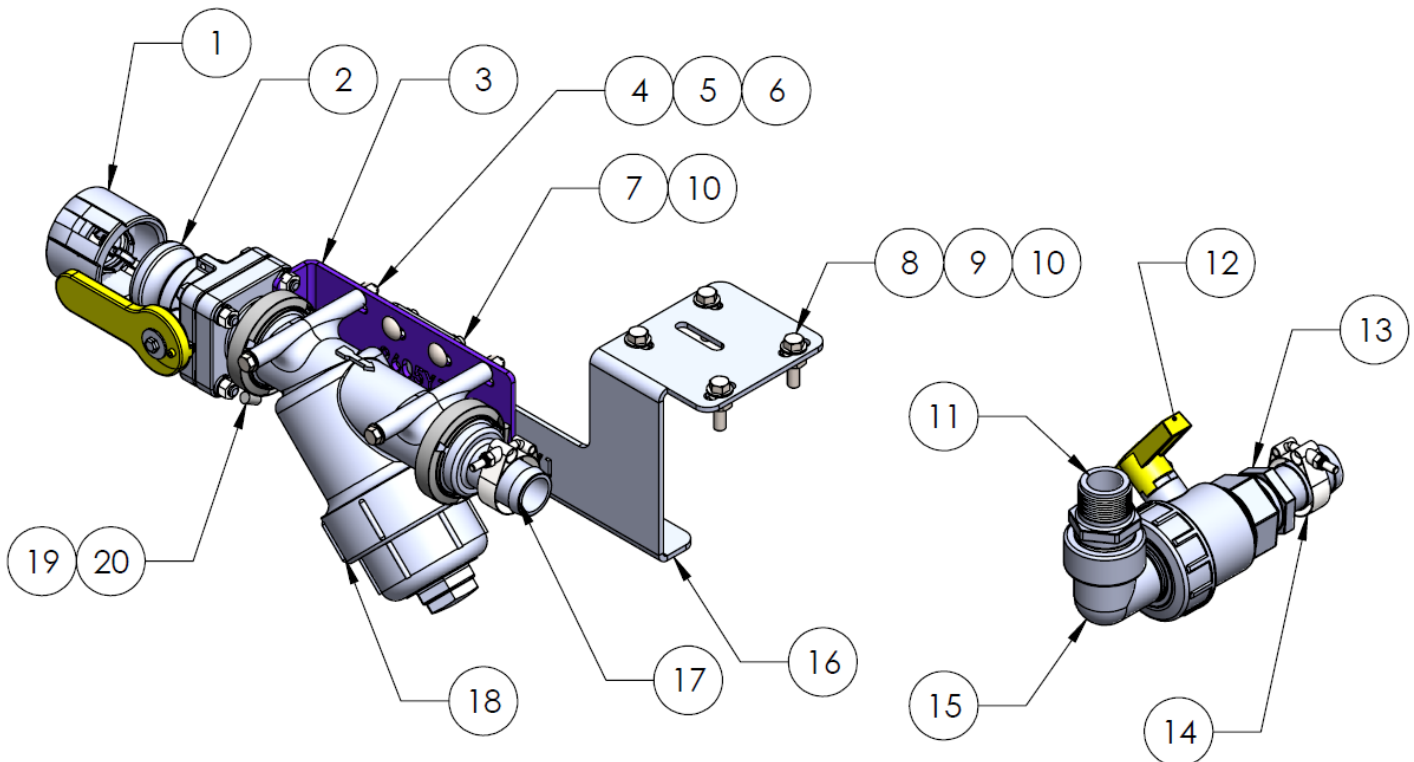




Parts List

Fill Kit: 555-101350

ITEM NO.	PART NUMBER	DESCRIPTION	QTY.
1	106-200CAP	2" Cap	1
2	102-200VSFCF	200 Series Manifold x 2" Male Quick Coupler Std Port Valve	1
3	400-2605Y1	Universal Fill Kit Strainer Mount	1
4	300-050508-5	5/16" x 5-1/2" HCS G5	2
5	330-05	5/16" Flat Washer	2
6	323-05	5/16" Flange Nut	2
7	304-060100	3/8" x 1"	4
8	300-060108-5	3/8" x 1-1/2" HCS G5	4
9	330-06	3/8" Flat Washer	4
10	323-06	3/8" Flange Nut	8
11	100-150125RN	1 1/2" x 1 1/4" Reducer Nipple	1
12	102-150SUBV	1-1/2" Union Valve	1
13	101-150150	1 1/2" MPT x 1 1/2" HB	1
14	350-TC181	T-Bolt Hose Clamp - 1.81 - 2.06" Diameter	2
15	100-150150SL-90	1 1/2" Street Elbow - 90 Degree	1
16	450-2646Y1	Fill Kit Bracket for Great Plains, Landoll, and Sunflower	1
17	105-200150BRB	2" Manifold X 1-1/2" Barb	1
18	109-200MLS-50M	2" Manifold Y Strainer - 50Mesh w/ 5/16" bolt holes	1
19	105-150G	1 1/2" EPDM Gasket	2
20	105-FC200	2" Manifold Clamp	2

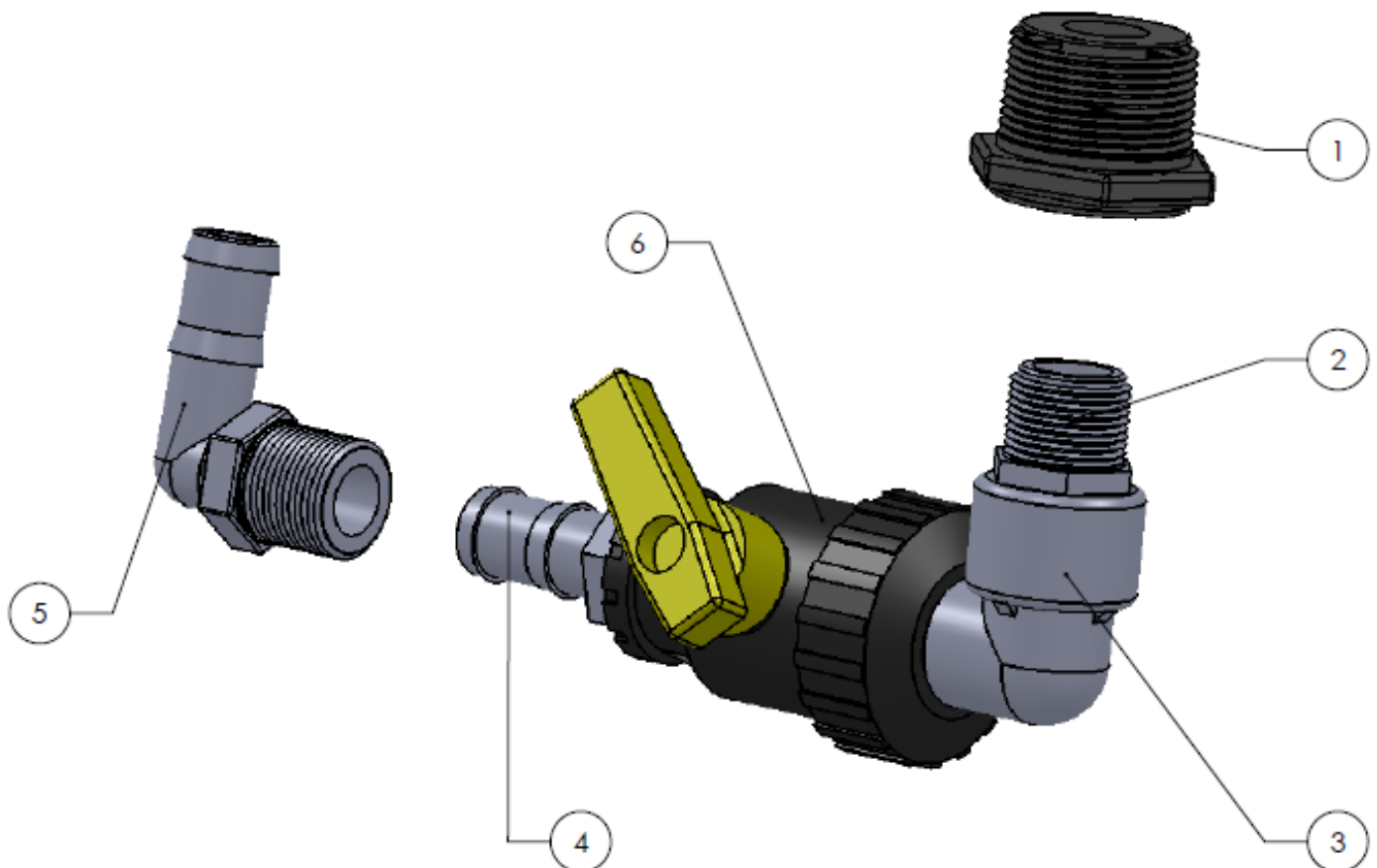




Parts List

Tower Discharge Kit: 556-1001

ITEM NO.	PART NUMBER	DESCRIPTION	QTY.
1	100-125075RB	1-1/4" MPT x 3/4" FPT Reducer Bushing	1
2	100-075NIP-SH	3/4" Short Poly Nipple	1
3	100-075075SL-90	3/4" Street Elbow - 90 Degree	1
4	101-075075	3/4" MPT x 3/4" HB	1
5	101-075075-90	3/4" MPT x 3/4" HB - 90 degree	1
6	102-075SUBV	3/4" Union Valve 2 Way	1
7	350-1208	SS Hose Clamp - Size 12 - 1 1/4" Diameter	1



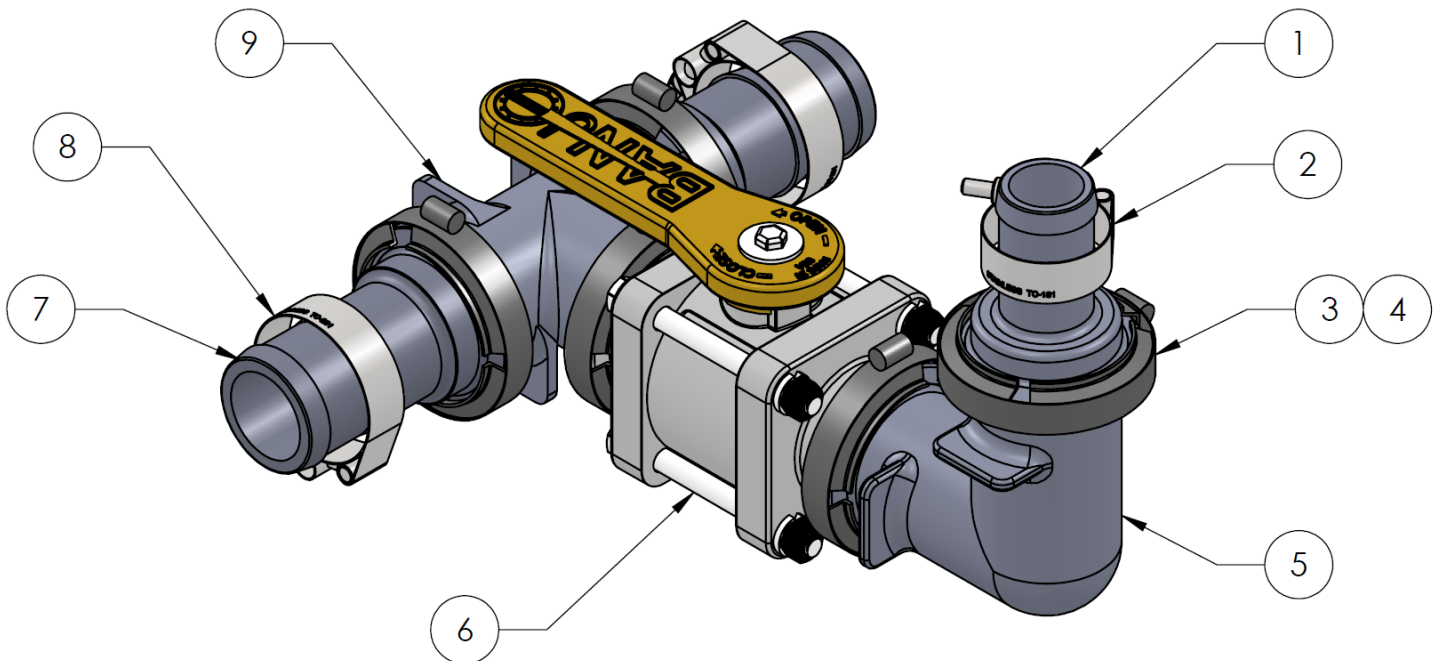


Parts List

PumpRight Discharge Kit: 520-00-103600

ITEM NO.	PART NUMBER	DESCRIPTION	QTY.
1	105-200150BRB	2" Manifold X 1-1/2" Barb	3
2	350-TC181	T-Bolt Hose Clamp - Fits 1 1/2" Enforcer or AG200	4
3	105-FC200	2" Manifold Clamp	5
4	105-150G	1 1/2" EPDM Gasket	5
5	105-200CPG90	2" MANIFOLD COUPLING 90 DEGREE	1
6	102-200MVCF	2" Manifold Ball Valve	1
7	105-200BRB	2" Manifold x 2" HB	3
8	350-TC231	T-Bolt Hose Clamp - Fits 2" Enforcer	2
9	105-200TEE	2" Flanged Tee Fitting	1
10	100-075PLUG	3/4" Pipe Plug	1
11	100-125PLUG	1-1/4" Pipe Plug	1

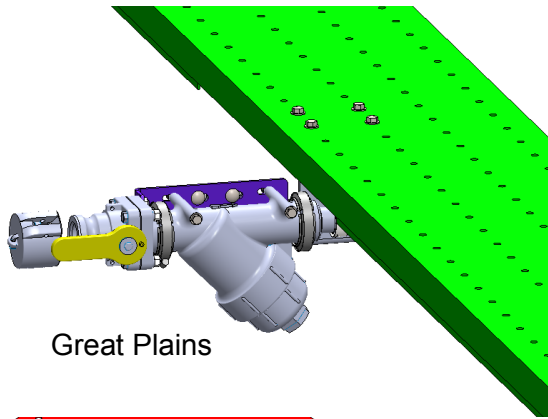
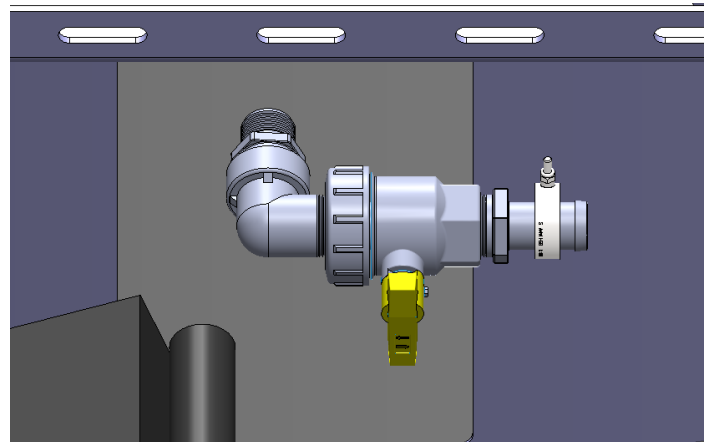
Kit contains fittings to tie into both 2" and 1-1/2" fill lines.



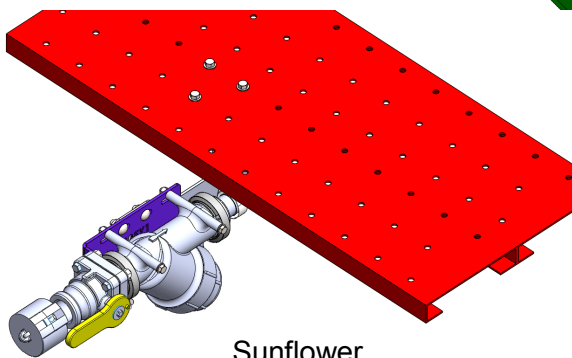


Step by Step Instructions

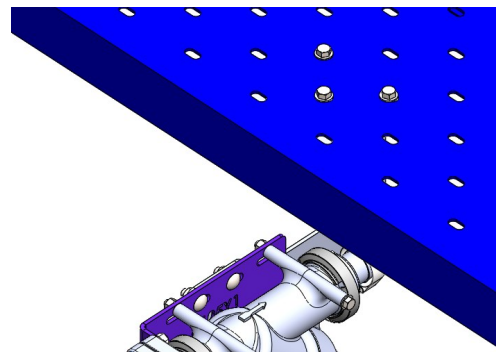
1. Assemble the fill kit as shown on page 2, and thread fittings into bung underneath tank as shown at right.
2. Assemble and bolt fittings to the center section platform (pointing rearward) as shown below.



Great Plains



Sunflower



Landoll

3. If using the Tower electric pump, fittings will be assembled as shown below, and threaded into the other bung under the tank. It may be necessary to thread fittings together individually to avoid interference with the fill kit fittings.
4. Run 3/4" hose from the tank to the Tower.

5. If using the PumpRight hydraulic pump, assemble the fittings as shown below, using the correct size hose barbs to splice into the fill line.
6. Plug second bung under the tank that is not being used for the fill line.
7. Splice into the fill line where it will be convenient to close the valve during filling and route hose to the inlet of the pump.

