



396-2644Y1

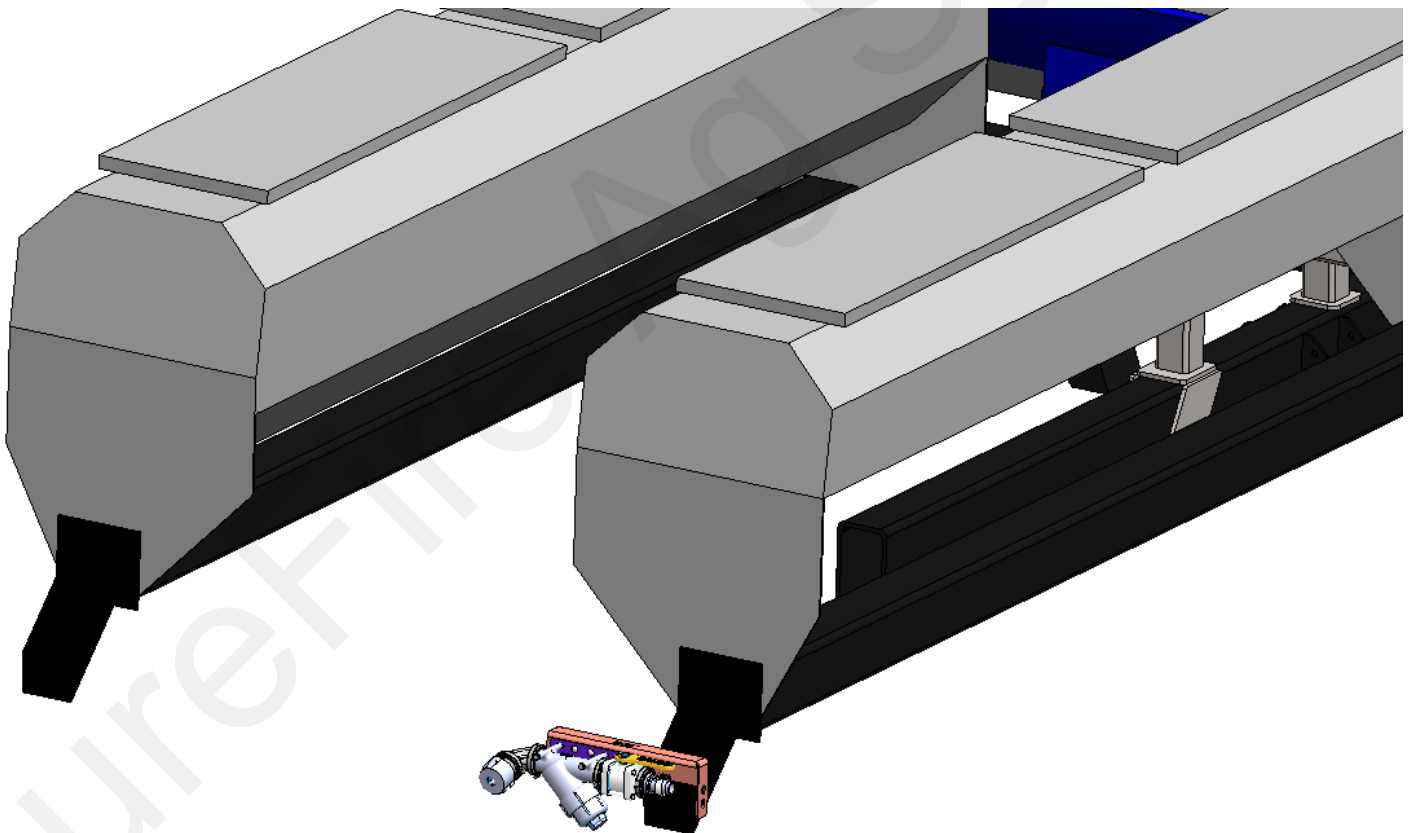
Fill Kit and Mounting Instructions

40' & 45' Drills

400 Gallon Horizontal Tank

Drill Manufacturer: CrustBuster[®]
SPEED KING INC.

Fill Kit Number: 555-200200
Discharge Kit for Tower: 556-1001
Discharge Kit for PumpRight: 520-00-103600

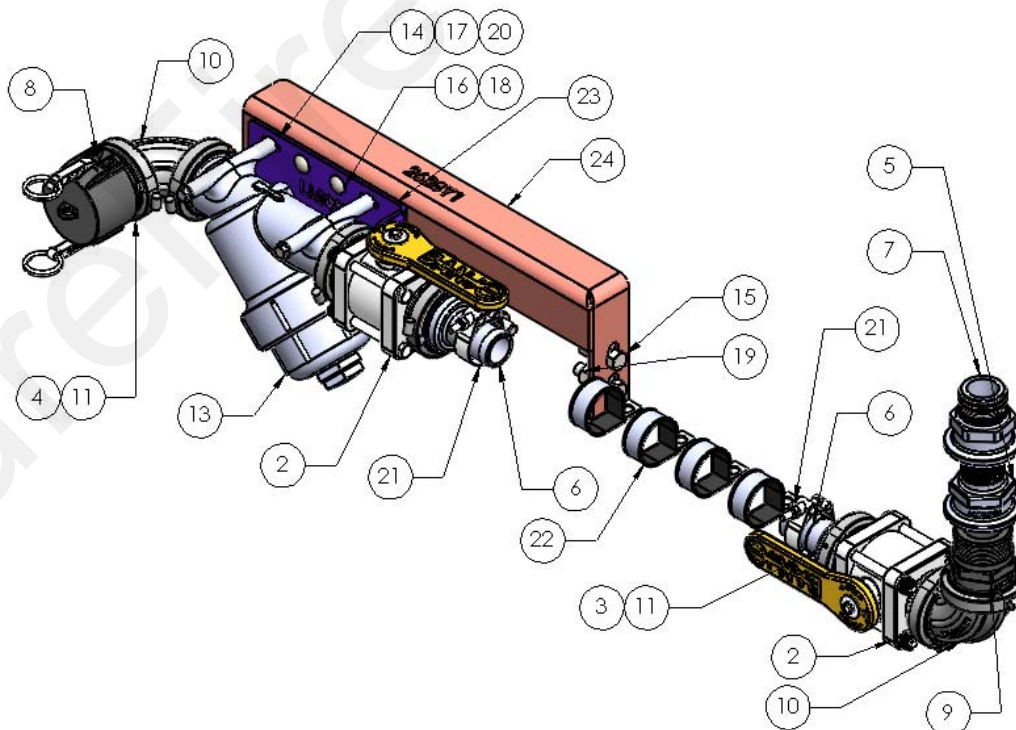




Parts List for Fill Kit

Kit Number: 555-200200

ITEM NO.	PART NUMBER	DESCRIPTION	QTY.
1	100-125PLUG	1-1/4" Pipe Plug	1
2	102-200MVCF	2" Manifold Ball Valve	2
3	105-150G-H	1 1/2" EPDM Gasket	3
4	105-150G	1 1/2" EPDM Gasket	4
5	105-200125MPT	2" Manifold x 1-1/4" MPT	1
6	105-200150BRB	2" Manifold X 1-1/2" Barb	2
7	105-200150MPT	2" Manifold X 1-1/2" Male	1
8	105-200A	2" Manifold x 2" Male Adapter	1
9	105-200MPT	2" Manifold x 2" MPT	1
10	105-200SWP90	2" Manifold Sweep - 90 Degree	2
11	105-FC200	2" Manifold Clamp	7
12	106-200CAP	2" Cap	1
13	109-200MLS-20M	2" Manifold Y Strainer - 20 Mesh w/ 5/16" bolt holes for mounting	1
14	300-050600-5	5/16" x 6" Hex Head Bolt-G5	2
15	300-080200-5	1/2" x 2" Hex Head Bolt - G5	4
16	304-060100-SS	Carriage Bolt - 3/8" x 1" SS	4
17	323-05	5/16" Flange Nut	2
18	323-06	3/8" Flange Nut	4
19	323-08	1/2" Flange Nut	4
20	330-05	5/16" Flat Washer	2
21	350-TC181	T-Bolt Hose Clamp - 1.81 - 2.06" Diameter (fits 1 1/2" Enforcer)	2
22	352-3216	Band Clamp - Vinyl Coated - 2"	4
23	400-2605Y1	Universal Fill Kit Strainer Mount	1
24	451-2628Y1	CrustBuster Wing Fill Mount Bracket	1
25	280-150-ENF	1-1/2" Enforcer Bulk Hose	30'

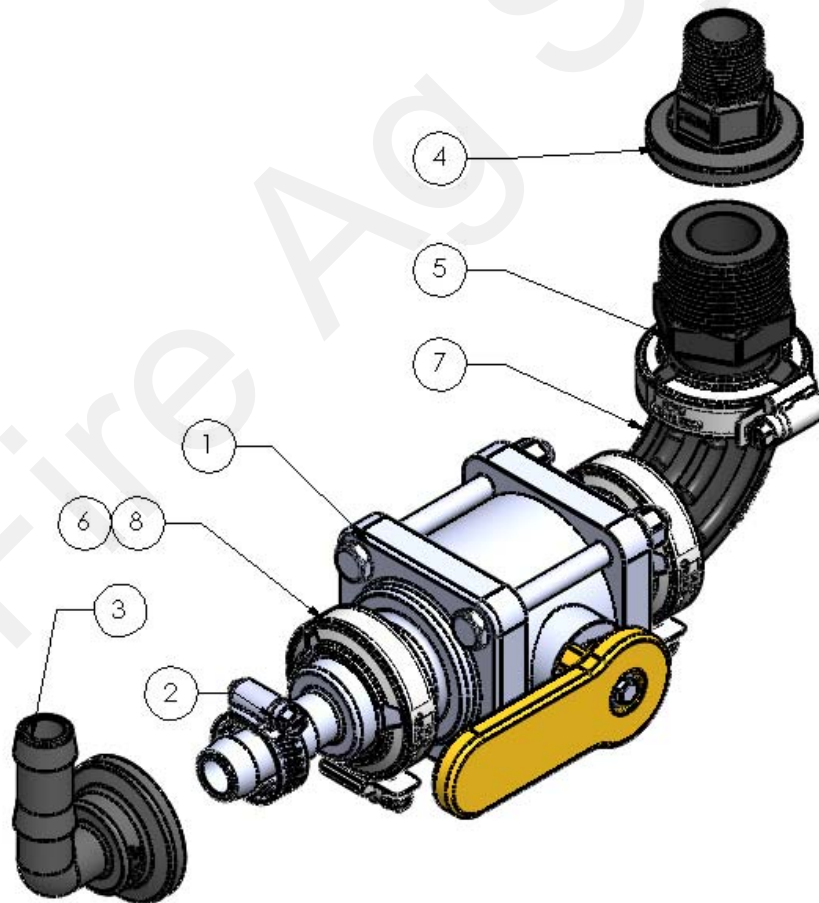




Parts List

Tower Discharge Kit: 556-1001

ITEM NO.	PART NUMBER	DESCRIPTION	QTY.
1	102-100MVCF	1" Manifold Full Port Poly Valve	1
2	105-100075BRB	1" Manifold x 3/4" HB	1
3	105-100075BRB90	1" Flange X 3/4" 90° Hose Barb Elbow	1
4	105-100075MPT	1" Flange X 3/4" Male Thread	1
5	105-100125MPT	1" Manifold x 1-1/4" MPT	1
6	105-100G	1" EPDM Manifold Gasket	3
7	105-100SWP90	1" Manifold Sweep - 90 Degree	1
8	105-FC100	1" Manifold Clamp	3
9	350-1208	SS Hose Clamp - Size 12 - 1-1/4" Diameter	1



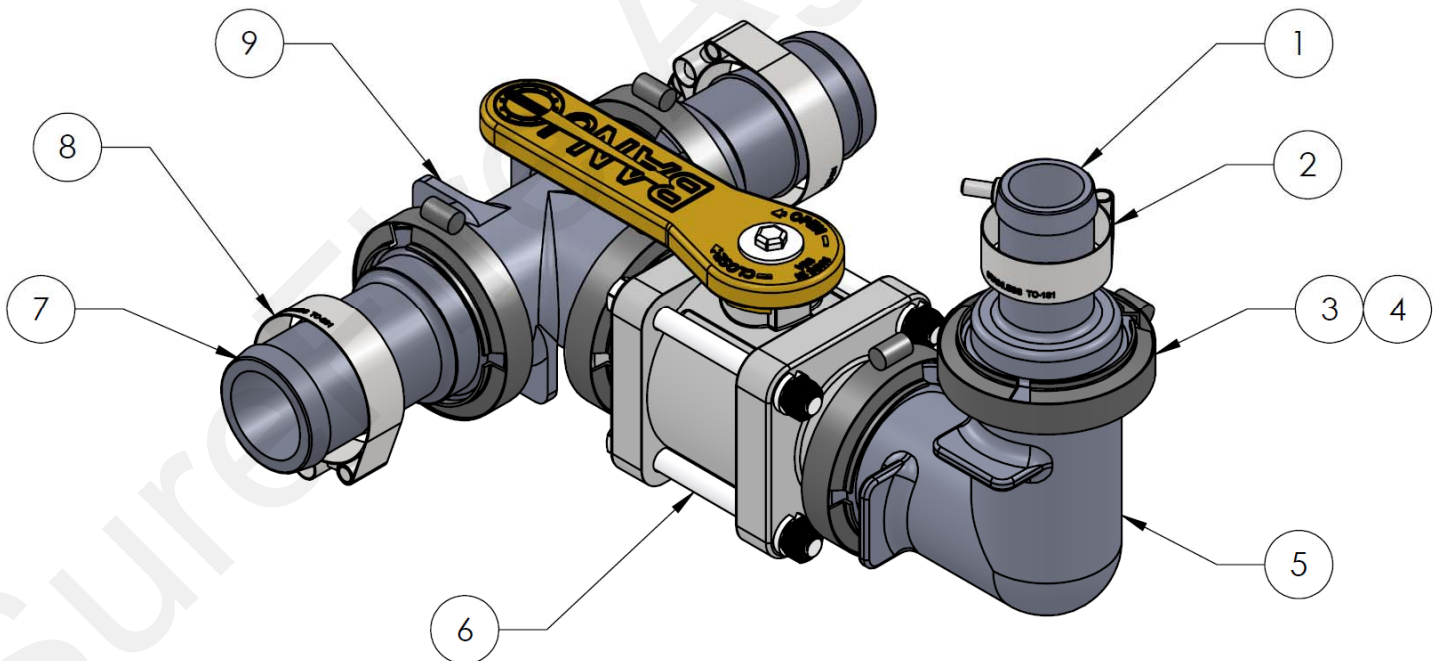


Parts List

PumpRight Discharge Kit: 520-00-103600

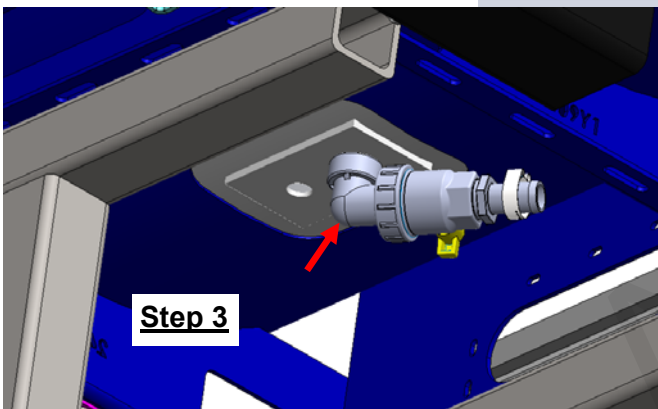
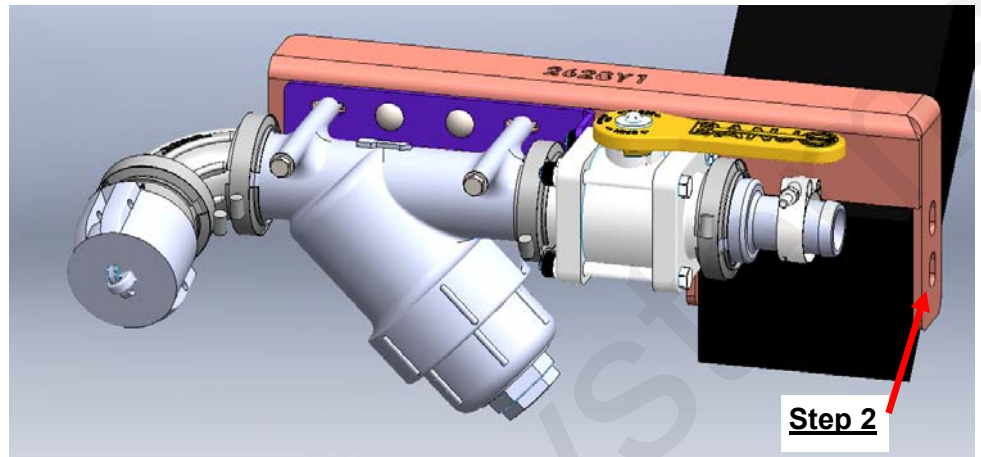
ITEM NO.	PART NUMBER	DESCRIPTION	QTY.
1	105-200150BRB	2" Manifold X 1-1/2" Barb	3
2	350-TC181	T-Bolt Hose Clamp - Fits 1 1/2" Enforcer or AG200	4
3	105-FC200	2" Manifold Clamp	5
4	105-150G	1 1/2" EPDM Gasket	5
5	105-200CPG90	2" MANIFOLD COUPLING 90 DEGREE	1
6	102-200MVCF	2" Manifold Ball Valve	1
7	105-200BRB	2" Manifold x 2" HB	3
8	350-TC231	T-Bolt Hose Clamp - Fits 2" Enforcer	2
9	105-200TEE	2" Flanged Tee Fitting	1
10	100-075PLUG	3/4" Pipe Plug	1
11	100-125PLUG	1-1/4" Pipe Plug	1

Kit contains fittings to tie into both 2" and 1-1/2" fill lines.

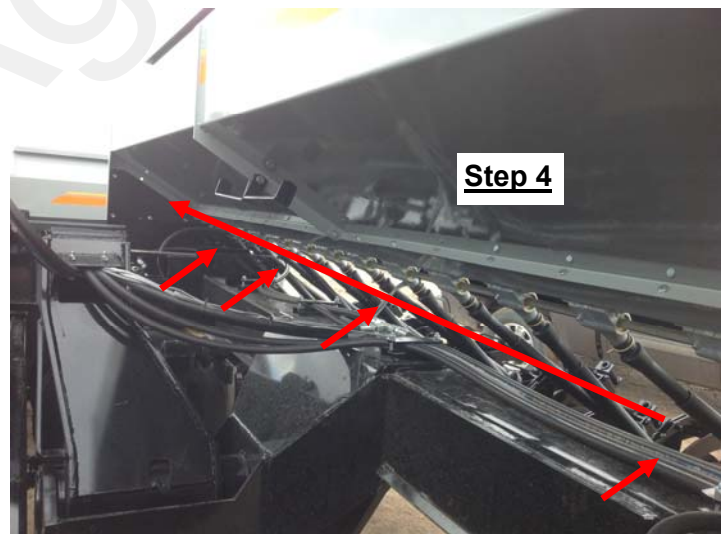


Step by Step Instructions

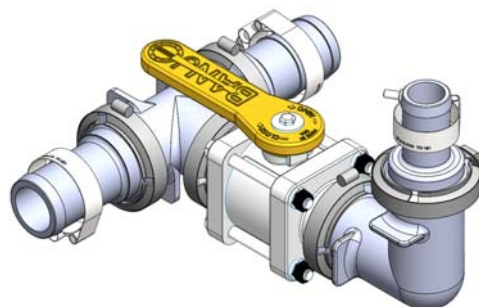
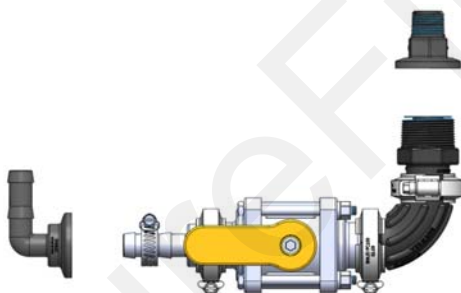
1. Assemble the fill kit strainer assembly as shown, referencing page 2 as necessary.
2. Bolt the rear bracket 2628Y1 to the 6" tube on the Crustbuster wing. The vertical support will rest on the main drill frame.



3. Attach the Manifold x Pipe Thread adapter fitting into the bottom of the 400 gallon tank and assemble tank fill valve assembly as shown (Reference Page 2)
4. Use 1-1/2" hose to connect the fill kit to the tank fill valve, routing it along the frame toward the tank. Use vinyl band clamps to secure hose to the bolts holding down the hydraulic lines.



5. If using SureFire Tower system, fittings will be assembled as shown below left, and threaded into the smaller 3/4" bung under the tank. Route 3/4" hose from the tank to the Tower.



7. If using the PumpRight, assemble the fittings as shown bottom right, using the correct size hose barbs to splice into the fill line. (Multiple size hose barbs are provided)
8. Plug 3/4" bung under the tank that is not being used.
9. Splice into the fill line where it will be convenient to close the valve during filling and route hose to the inlet of the pump.