



396-2617Y1

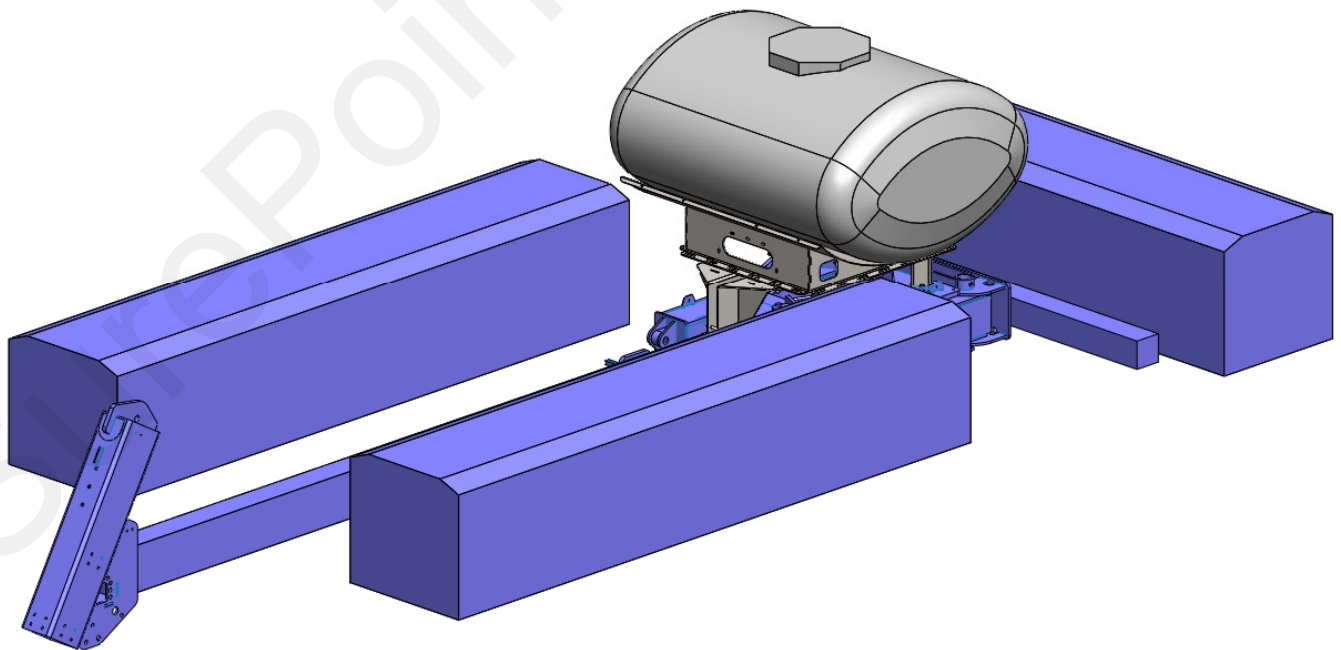
Three Section 30' & 40' Manifold Plumbing Kits

Drill Manufacturer:



Kit Numbers:

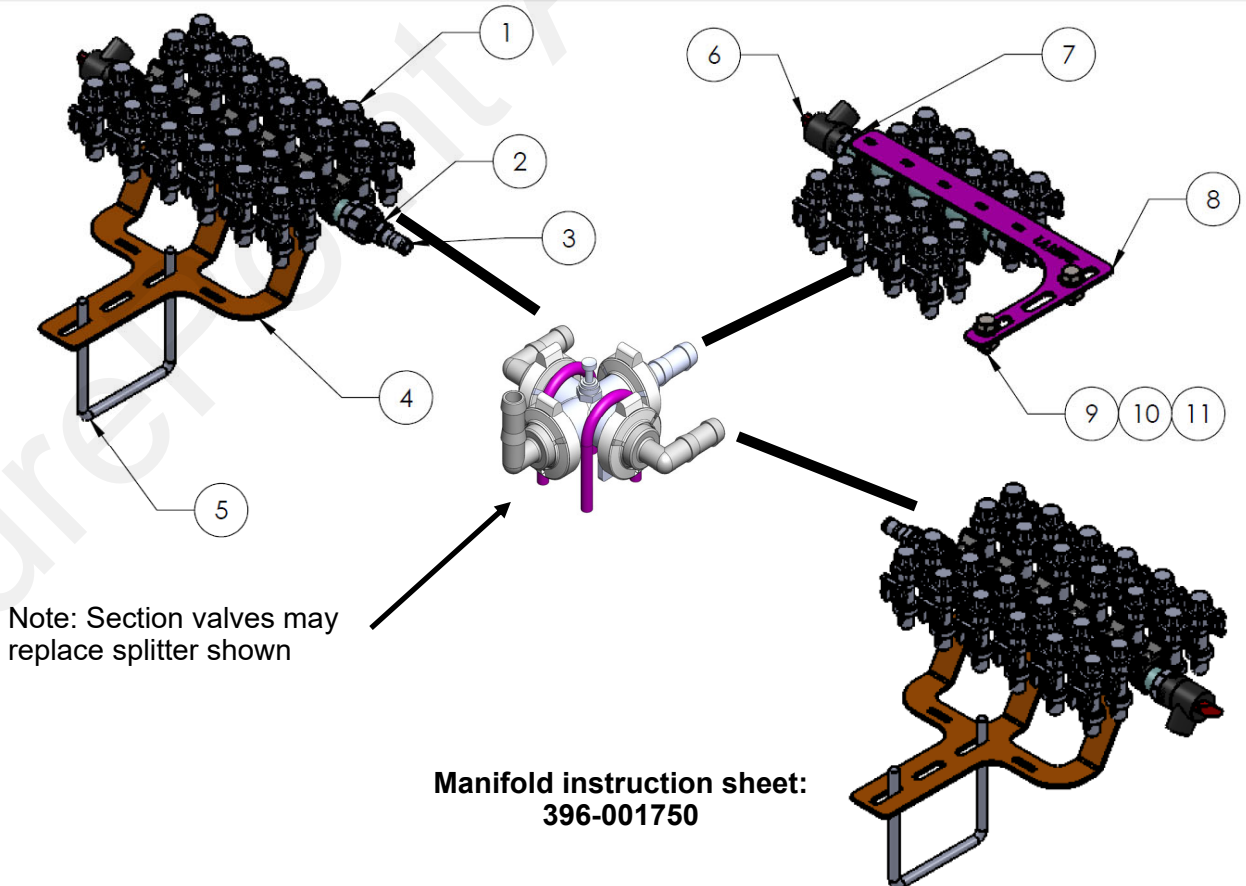
- 553-05-30000:** 30' 7.5" spacing
- 553-05-30500:** 30' 10" spacing
- 553-05-40000:** 40' 7.5" spacing
- 553-05-40500:** 40' 10" spacing





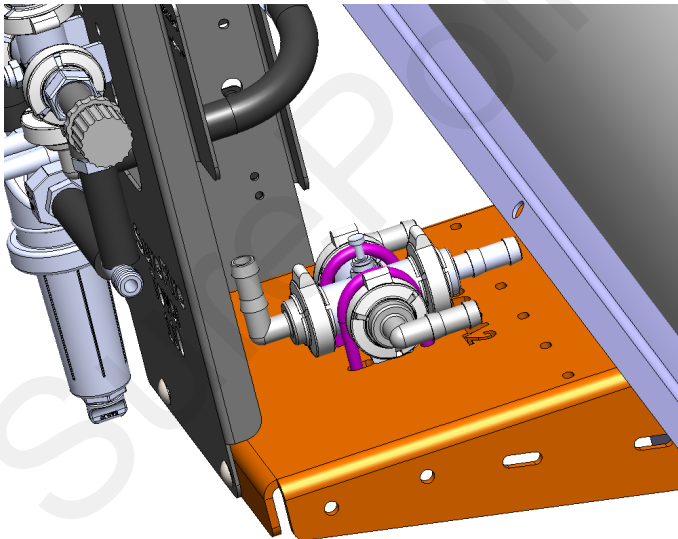
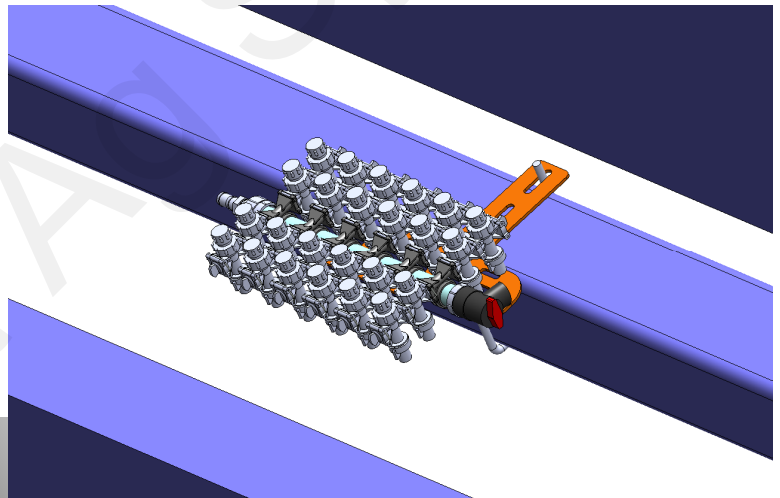
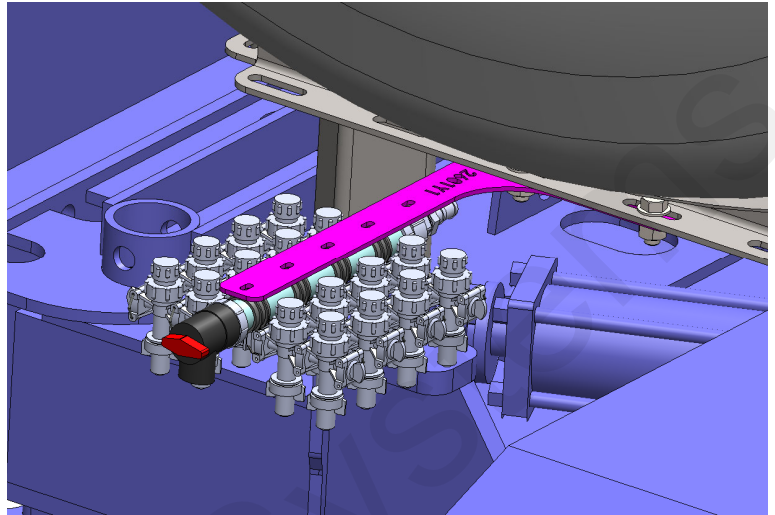
Parts List and Exploded View

ITEM NO.	PART NUMBER	DESCRIPTION	QTY.
1	136-04-200400	Dual 4 PSI check valve with Dual on/off valve	33
2	135-00-70276-06	12 Outlet 1.315" Stainless Steel Manifold Assembly	2
3	101-075075	3/4" MPT x 3/4" HB	4
4	400-2423Y1-BK	Manifold Mounting Bracket for 1.315 SS Wilger Manifolds	3
5	380-1001	U-Bolt for 7"x7" bar	3
6	135-05-25175-VO	Quick-Nut Flush Valve for 1.315" Stainless Manifold	3
7	135-00-70276-04	8 Outlet 1.315" Stainless Steel Manifold Assembly	1
8	400-2601Y1-BK	1.315" SS Manifold Bracket to fit cradles	1
9	300-100108-5	5/8" x 1-1/2" HCS G5	2
10	330-10	5/8" Flat Washer	2
11	323-10	5/8" Flange Nut	2
12	350-1208	SS Hose Clamp - Size 12 - 1 1/4" Diameter	10
13	101-075075075-HB	3/4" HB X 3/4" X 3/4" HB Tee	2
14	352-0508	Band Clamp—Vinyl Clamp	64
15	399-RSTB-2	Rectorseal Tru Blue—2oz tube	1
16	701-41285-00	Combo-Clip male x plug	2
17	353-13	15" Zip Tie (pkg 100)	5
18	135-05-41478-00	Dual saddles for 9/16" holes with 5/16	2
19	280-075-AG200-10	3/4" AG200100" Coil	1
20	281-025-100	1/4" OD Poly Tubing - 100' Roll	6
21	396-2617Y1	Landoll Manifold Plumbing Instruction	1



Step by Step Instructions

1. After the tank is installed, bolt bracket 400-2601Y1-BK to the bottom of the cradle using 5/8" bolts. This will hold the manifold for the center section (at right).
2. U-bolt bracket 400-2423Y1-BK to the frame under the box, roughly centered on the wing sections.
3. Attach dual check valves to the stainless steel manifold saddles as shown.
4. Install 3/4" hose fittings on one end of the manifold for inlet, and the flush valve on the other end.
5. Bolt manifold to bracket using 5/16" bolts in manifolds.
6. Feed 1/4" tubing to the opener from the check valves on the manifold.



7. Use PN: 520-00-045000 assembled like picture to the left. Run 3/4" hose from assembly to stainless steel manifolds already mounted in previous steps. OPTIONAL: Section valves may replace this assembly.
8. Run hose from Tower or PumpRight to assembly from step 7.