



396-2616Y1

Three Section 40' & 45'

Manifold Kits

Drill Manufacturer:



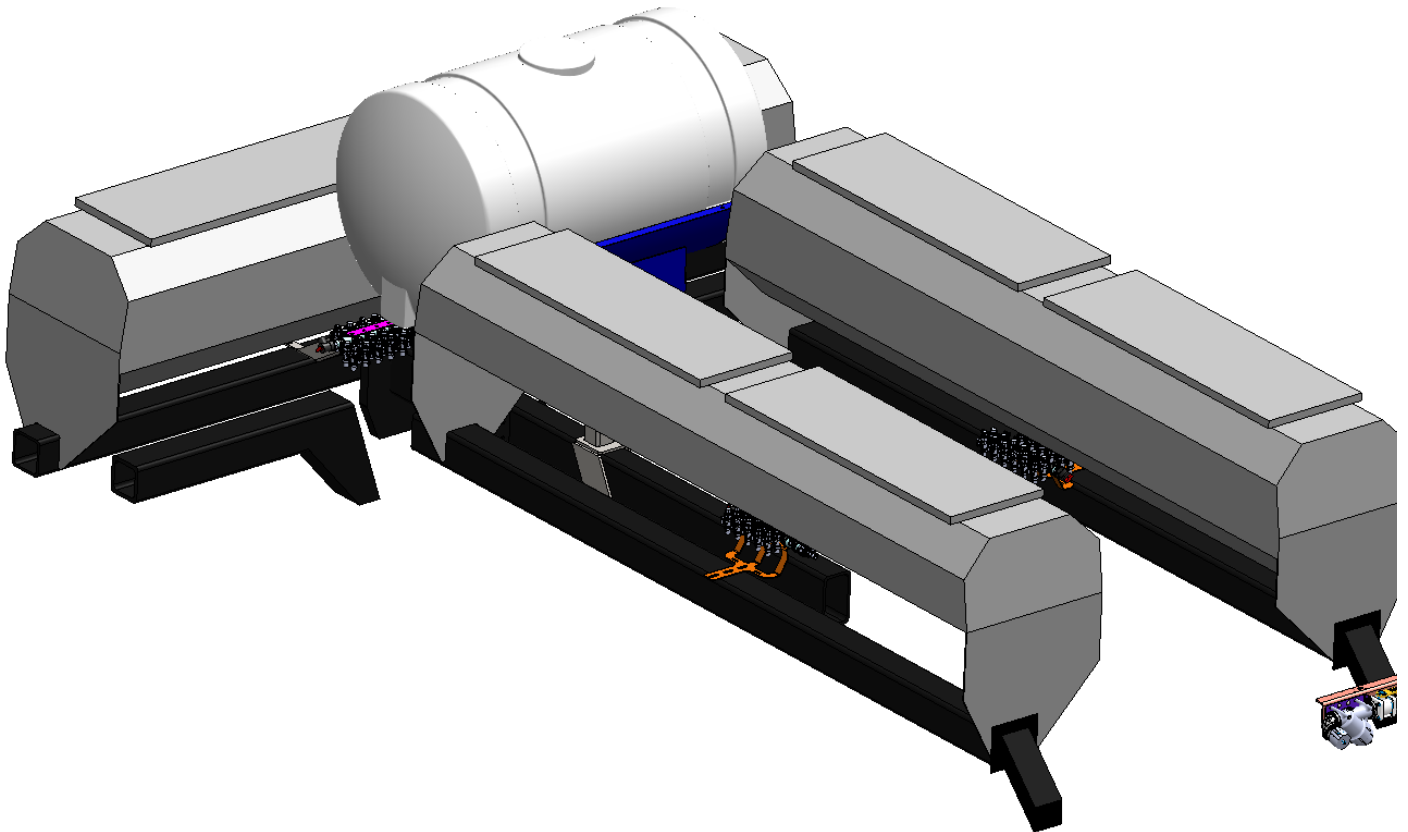
Kit Numbers:

553-02-40000: 40' 7.5" spacing

553-02-40500: 40' 10" spacing

553-02-45000: 45' 7.5" spacing

553-02-45500: 45' 10" spacing

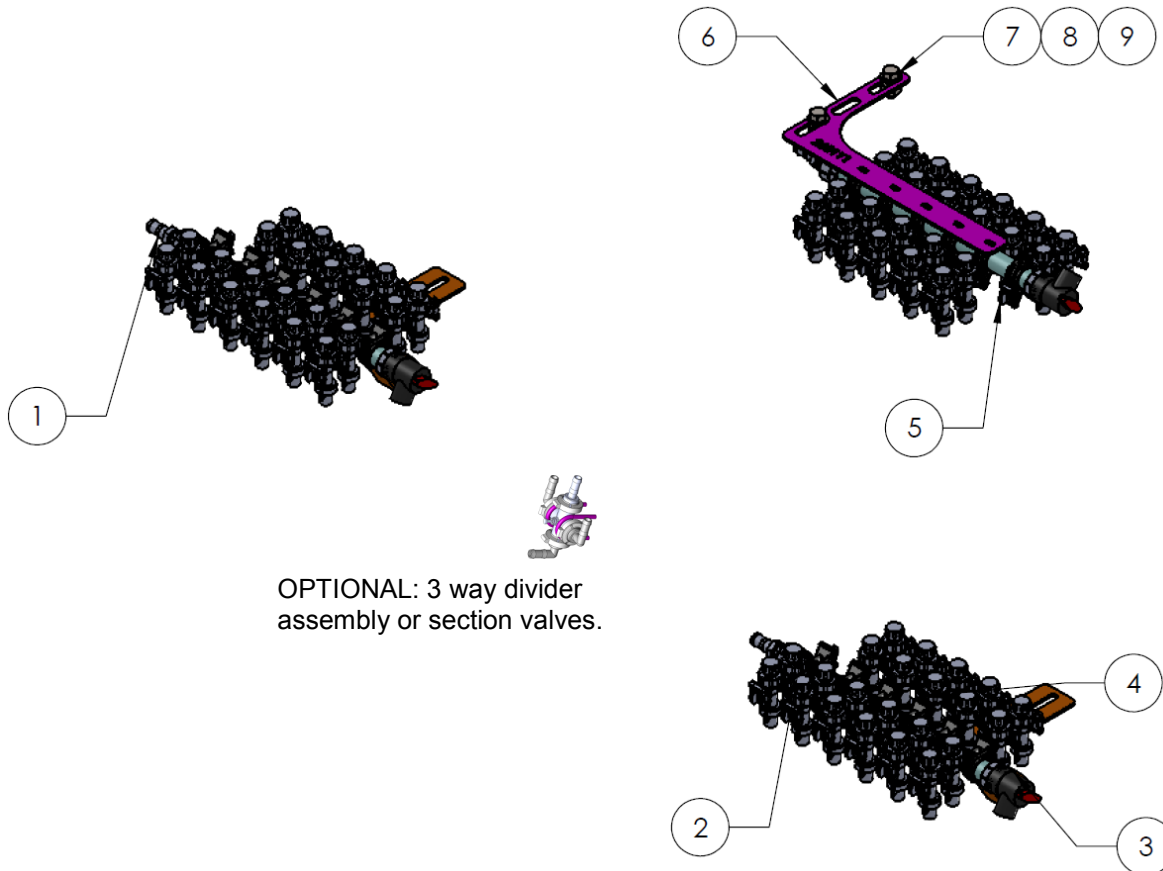




Parts List

Quantities listed are for a 40' 7.5" spacing drill. The quantities in your kit may vary depending on your specific drill.

ITEM NO.	PART NUMBER	DESCRIPTION	QTY.
1	101-075075	3/4" MPT x 3/4" HB	4
2	135-00-70276-06	12 Outlet 1.315" Stainless Steel Manifold Assembly	3
3	135-05-25175-VO	Quick-Nut Flush Valve for 1.315" Stainless Manifold	3
4	136-04-200400	Dual 4 PSI check valve with Dual on/off valve	33
5	701-41285-00	Combo-Clip male x plug	3
6	400-2601Y1	1.315" SS Manifold Bracket to fit cradles	1
7	300-100108-5	5/8" x 1-1/2" HCS G5	2
8	330-10	5/8" Flat Washer	2
9	323-10	5/8" Flange Nut	2
10	350-1208	SS Hose Clamp - Size 12 - 1 1/4" Diameter	10
11	280-075-AG200-50	3/4" AG 200 50' Coil	1
12	281-025-100	1/4" OD Poly Tubing - 100' Roll	8
13	396-2616Y1	Manifold Instruction Sheet for 3 Section CrustBuster	1
14	400-2423Y1	Manifold Mounting Bracket for 1.315 SS	2
15	300-060208-SS	3/8" x 2-1/2" HCS SS	4



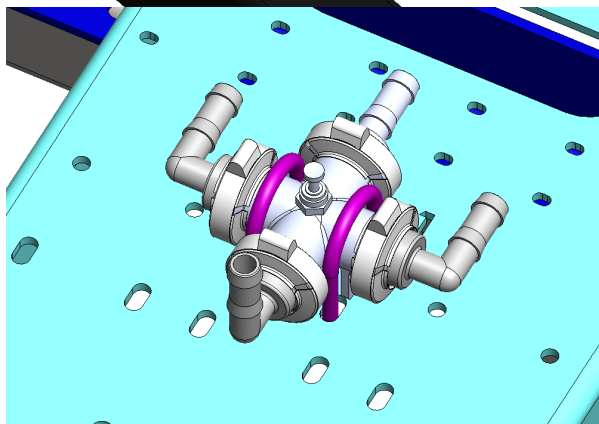
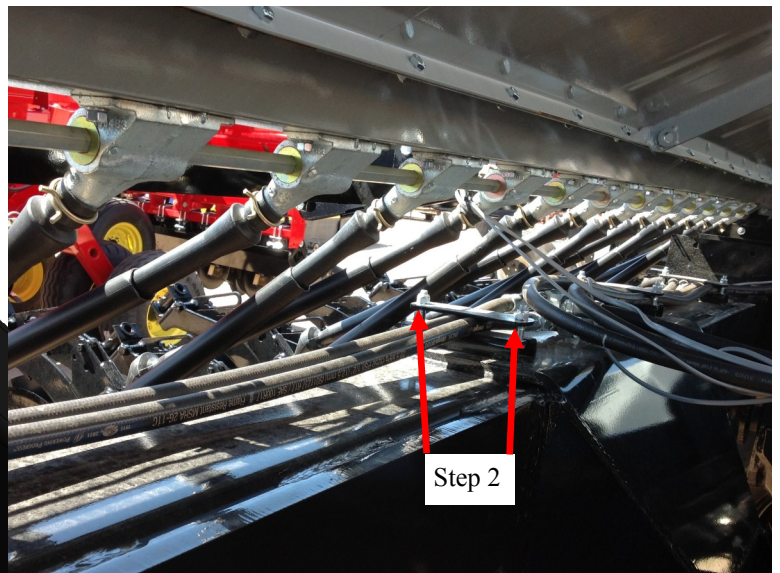
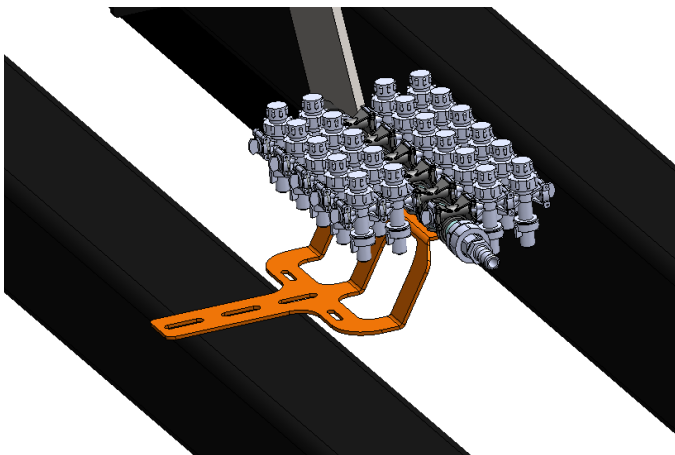
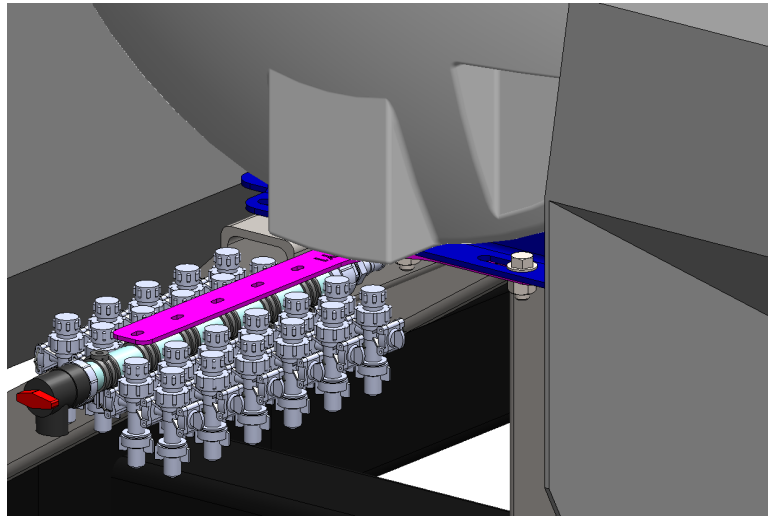
OPTIONAL: 3 way divider assembly or section valves.

**Manifold instruction sheet:
396-001750**



Step by Step Instructions

1. After the tank is installed, bolt bracket 400-2601Y1-BK to the bottom of the cradle using 5/8" bolts. This will hold the manifold for the center section (at right).
2. Bolt bracket 400-2423Y1-BK to the frame under the box, to be installed between plate shown and pre-existing hydraulic lines.
3. Attach dual check valves to the stainless steel manifold saddles as shown.
4. Install 3/4" hose fittings on one end of the manifold for inlet, and the flush valve on the other end.
5. Bolt manifold to bracket using 5/16" bolts in manifolds.
6. Feed 1/4" tubing to the opener from the check valves on the manifold.



7. Use PN: 520-00-045000 assembled like picture to the left. Run 3/4" hose from assembly to stainless steel manifolds already mounted in previous steps. OPTIONAL: Section valves may replace this assembly.
8. Run hose from Tower or PumpRight to assembly from step 7.