

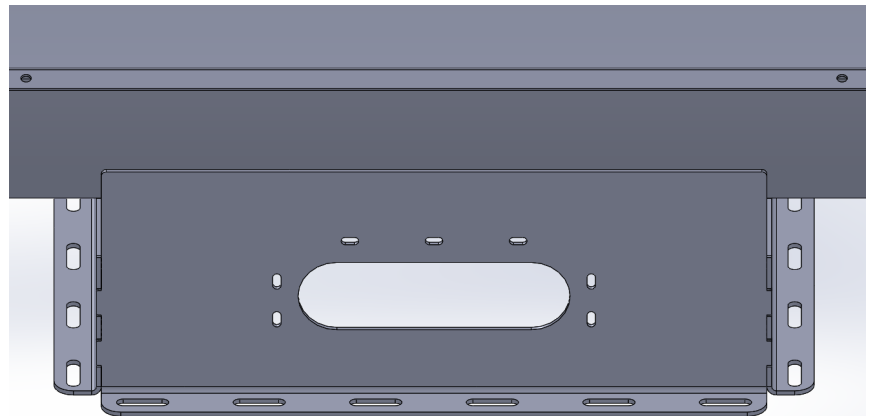
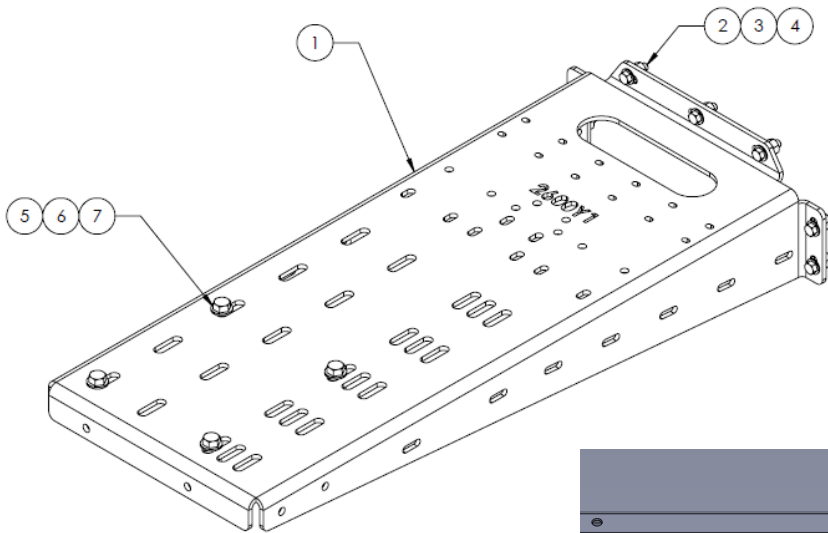


396-2613Y1

PumpRight Mounting Bracket For Cradles

Kit Number: 515-203200

ITEM NO.	PART NUMBER	DESCRIPTION	QTY.
1	400-2600Y1	Pumpright Bracket for cradles	1
2	300-060104-5	3/8" x 1-1/4" HCS G5	7
3	330-06	3/8" Flat Washer	7
4	323-06	3/8" Flange Nut	7
5	323-08	1/2" Flange Nut	4
6	330-08	1/2" Flat Washer	4
7	300-080108-5	1/2" x 1-1/2" HCS G5	4
8	396-2613Y1	Instruction Sheet	1

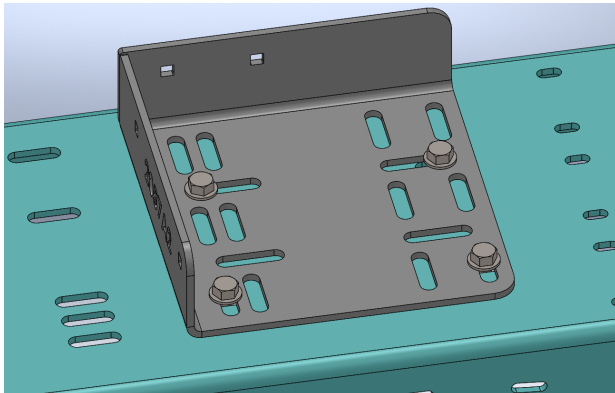
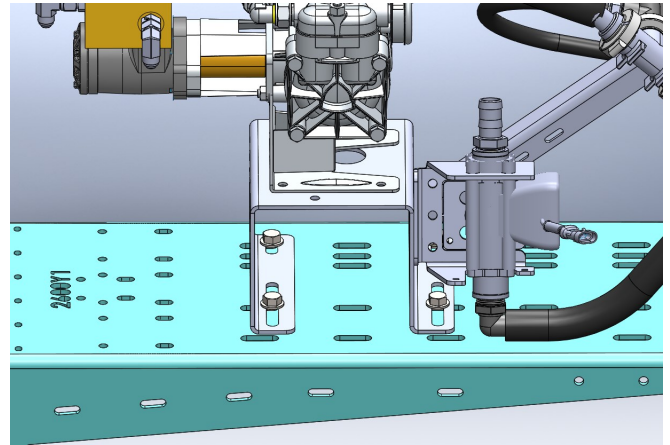


Bolt pump bracket through the slots on the side of the cradle.

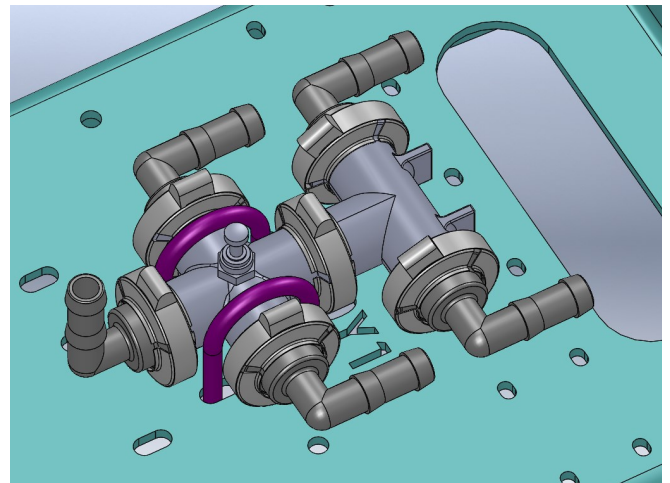


Mounting to Pump Bracket

1. Mount PumpRight to bracket using 1/2" bolts in the locations shown to the right. Mount pump as close to the tank as possible without interference issues.
2. Mount the Tower or Odyssey to the bracket using part 410-2057A2 with 1/2" bolts in the locations shown below, or directly to the end of the pump bracket.



3. If section valves are not used, mount BOM 520-00-045000 (instruction sheet 396-2602Y1) as shown at right.
4. If Banjo section valves are used, mount as shown below left.
5. If KZ section valves are used, mount as shown below right.



Note: Both the KZ and the Banjo section valves will fit underneath the hydraulic motor on the PumpRight pumps.

