



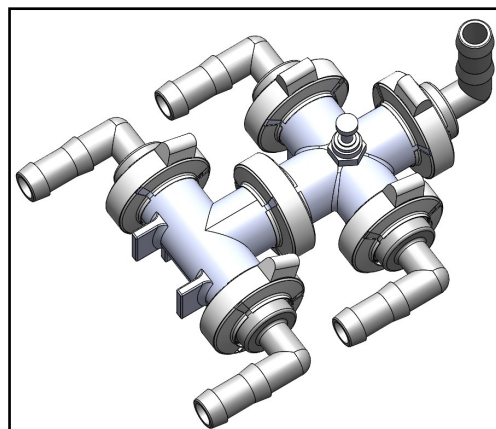
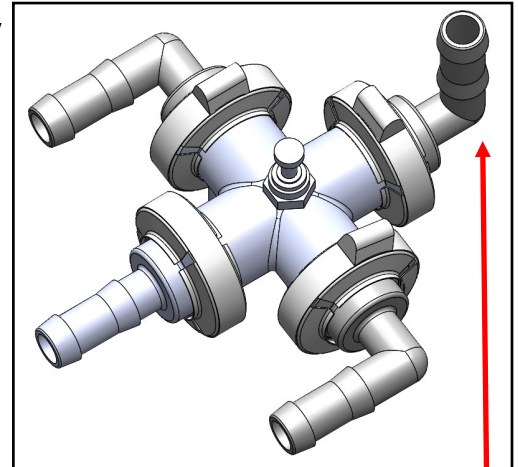
396-2602Y1

3 and 4 Section Plumbing BOM

BOM Number: 520-00-045000

BOM Includes	
Item	Qty
1" Cross	1
3/4" HB 90	5
3/4" HB Straight	4
1" Manifold Clamp	6
1" Manifold Gasket	6
1" Tee	1
1" HB 90	1
1" HB Straight	1
1/4" QC x MPT	1
1/4" QC Plug	1
Stainless Steel U-Bolts	2

3 section assembly



4 section assembly

Inlet

General Instructions: HB90 setup shown. Straight HB may be used if appropriate.

1. Feed into the cross with a HB 90 (either 3/4" or 1")
2. Assemble manifold parts as shown for either a 3 or 4 section assembly using 3/4" outlets to each section.
3. Center QC fitting may be left plugged, used to feed 1/4" tubing to pressure gauge, or removed to install a pressure transducer.