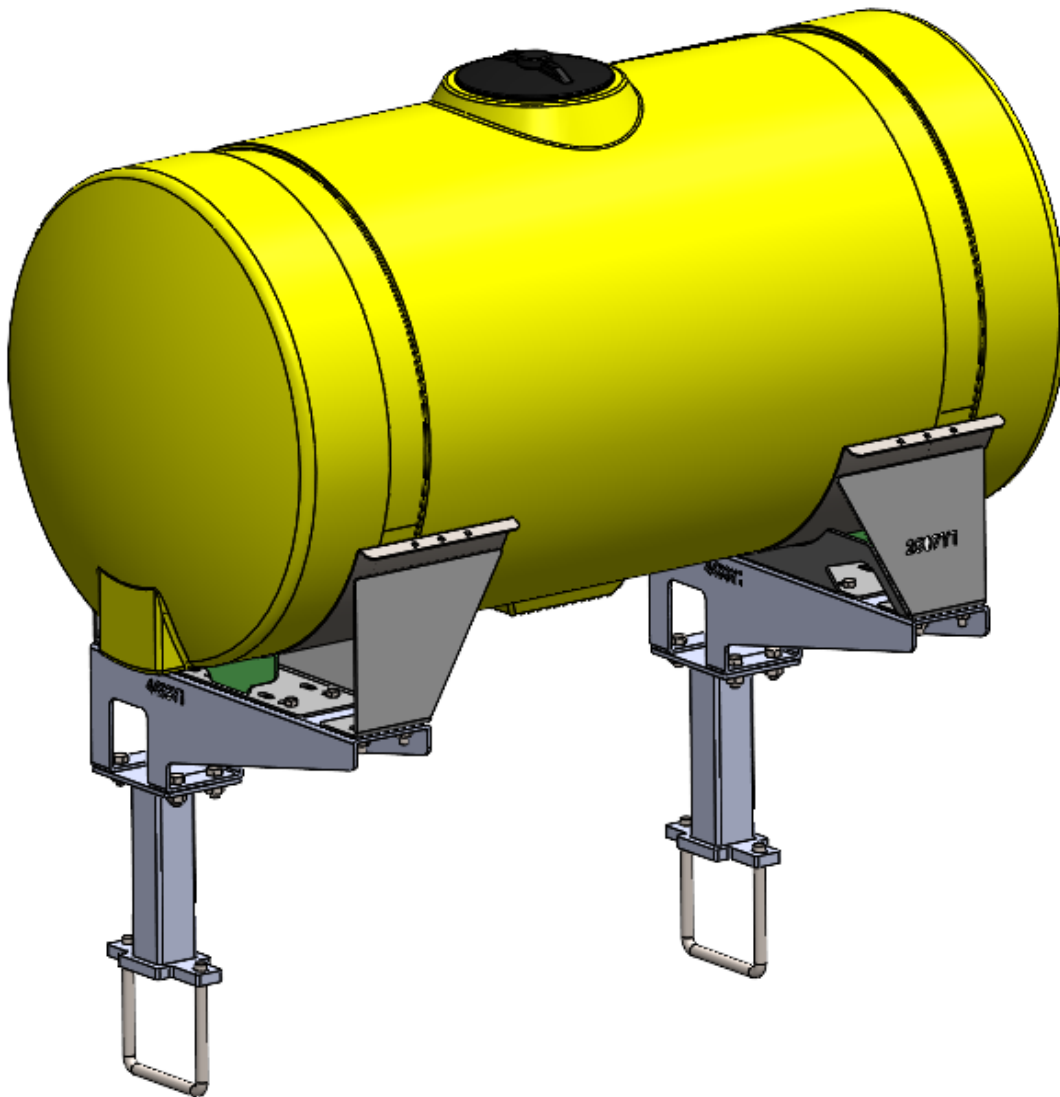




396-001840

JD 1770-75NT 16 Row Wing Mounted Tank Assembly and Mounting

Kit Number: 530-01-550750

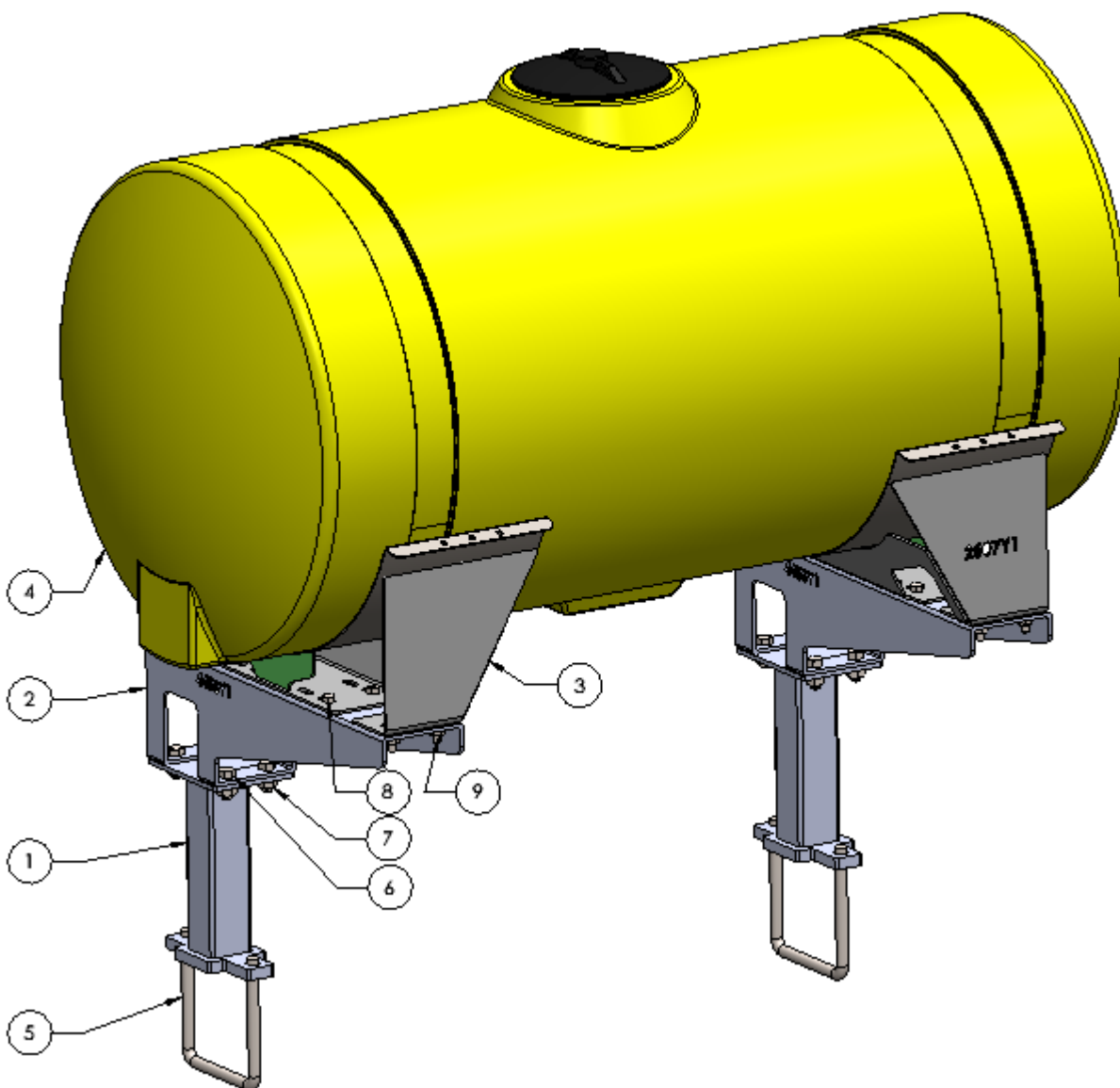




Parts List and Exploded View

Kit Number: 530-01-550750

ITEM NO.	PART NUMBER	DESCRIPTION	QTY.
1	420-4452Y1	JD 1700/1775 16R - Wing Tank Base Mount Bracket	2
2	420-4453Y1	JD 1700/1775 16R Wing Tank Cradle Mount Bracket	2
3	420-2507Y1	Tank Saddle Weld Assembly for 32" Tank	2
4	727-02-HZ0200-32-Y	Horizontal Tank - 200 Gal - Yellow - 32" x 68"	1
5	380-1060	3/4" U-bolt Kit - fits 7" x 7" tube (7" opening) includes Flat & Lock Washers, Nuts	2
6	300-100108-5	5/8" x 1-1/2" Hex Head Bolt-G5	8
7	323-10	5/8" Flange Nut	8
8	300-080108-5	1/2" x 1-1/2" HCS G5	16
9	323-08	1/2" Flange Nut	16
10	525-2055	2" Strap Kit for Tanks under 300 Gallon	2





Installation Instructions

Kit Number: 530-01-550750

1. Remove Seed Tube Support so new pedestal can be mounted onto 7"x7" Tool Bar.



2. Install both base mount brackets (420-4452Y1-BK) with supplied 3/4" U-bolts (380-1060) as shown below. Make sure the Gusset is facing forward on the planter, see Figure 1 below.

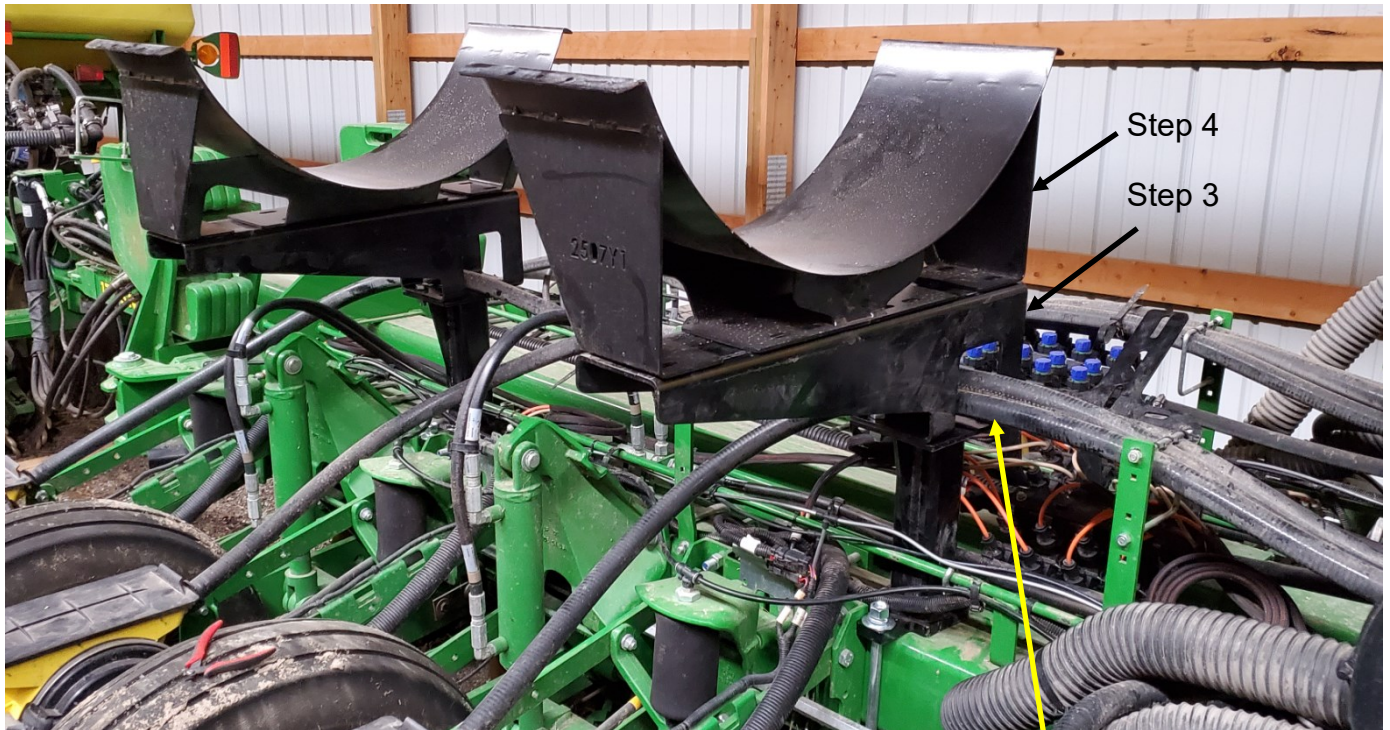




Installation Instructions

Kit Number: 530-01-550750

3. Install cradle mount brackets (420-4453Y1-BK) with the supplied 5/8" bolts and flange nuts. Make sure to feed the planter seed tubes through the opening of the cradle mount bracket for support as shown below.
4. Install tank saddles (420-2507Y1-BK) with the supplied 1/2" bolts and flange nuts.



Planter Seed Tube
Hose

5. Install tank and supplied straps

