

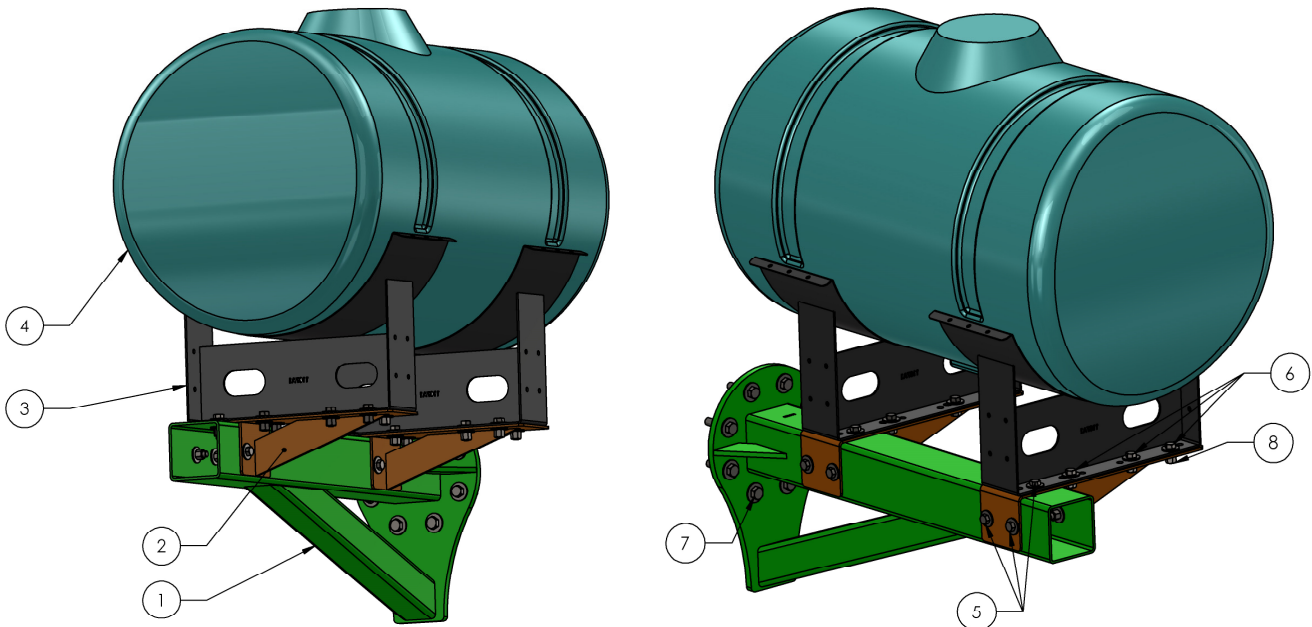


# 396-001810

## John Deere 1720 Wing Tank Assembly and Mounting Instructions

**Kit Number: 530-01-650500**

ITEM NO.	PART NUMBER	DESCRIPTION	QTY.
1	420-2539Y1	Main Support Beam for 1720 Tank Mount	1
2	420-2535Y1	Adapter for 1720 Tank Mount	2
3	420-1107A1	32" Tank Saddle	2
4	HZ0150-32	150 Gallon 32" Horizontal Tank	1
5	300-100200-5	5/8" x 2" HCS G5	12
6	300-100108-5	5/8" x 1-1/2" HCS G5	12
7	300-120308-5	3/4" x 3-1/2" HCS G5	8
8	321-10	5/8" Nylock Nut	24
9	330-10	5/8" Flat Washer	48
10	330-12-8	3/4" Flat Washer G8	8
11	321-12	3/4" Nylock Nut	8
12	525-2055	2" Strap Kit for Tanks under 300 Gallon	2



### General Instructions:

1. Bolt Tank Mount Adapters to Saddles in 4 outside bolt holes using 5/8" bolts.
2. Bolt Tank Mount Adapter to Main Beam using 5/8" Bolts. (Brackets will be off-set to the rear.)
3. Mount Main Beam to circular plate on planter using 3/4" bolts.
4. Set and strap tank in place on saddles.