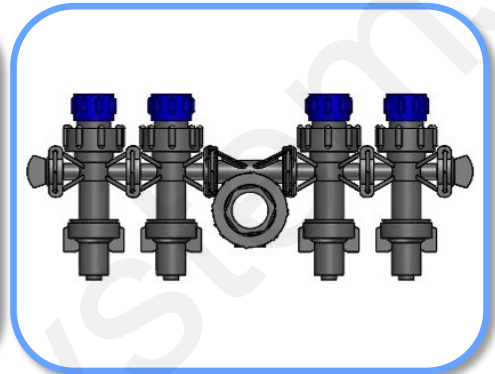
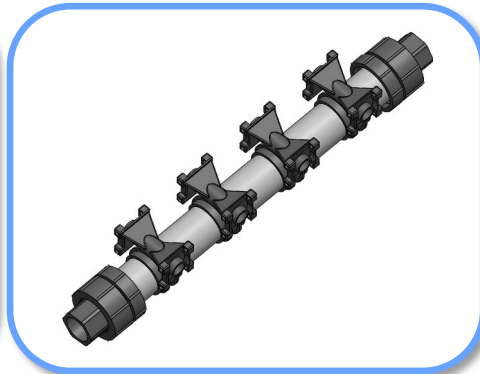
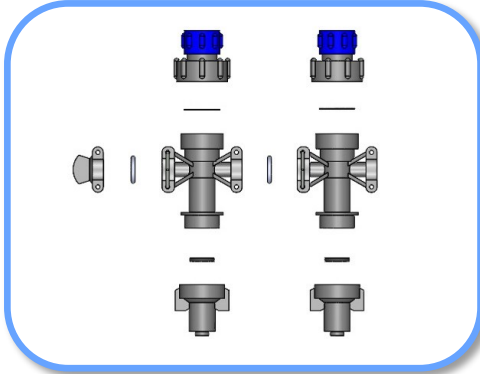




396-001750

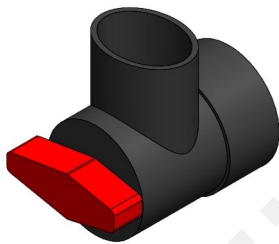
Stainless Steel Manifold Assembly and Mounting Instructions



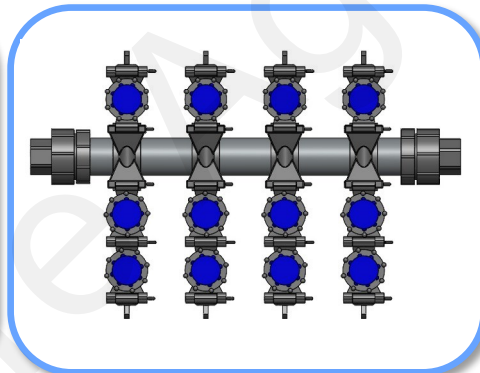
How to Assemble

The Stainless Steel Manifold Assembly can easily be adjusted to accommodate different numbers of rows. Simply add or remove check valves using the U-Clips in the assembly. If more than one manifold is needed per drill or planter section, manifolds may be connected to each other through use of 3/4" MPT x 3/4" HB fittings and 3/4" hose.

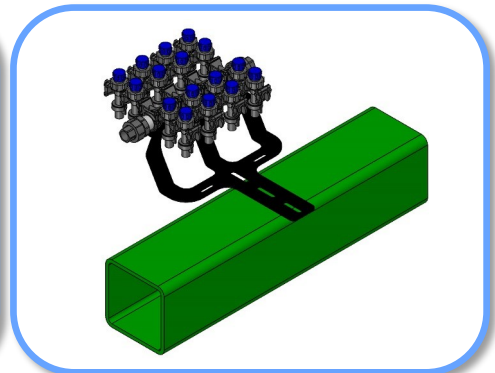
135-05-25175-VO



Flush Valves may be installed at the end of each section to allow easy rinsing after use. (Replaces 3/4" threaded fitting)



Ports can be assembled as needed to obtain the correct number of rows. Shown is an example 12 port setup.



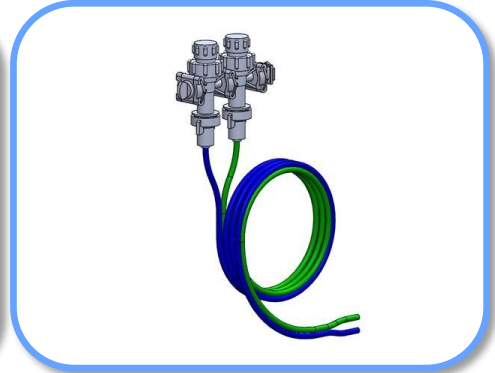
Use the mounting bracket (400-2423Y1) to mount the manifold where convenient and accessible.



For disc orifice application, assemble gasket, orifice, and cap as shown above.



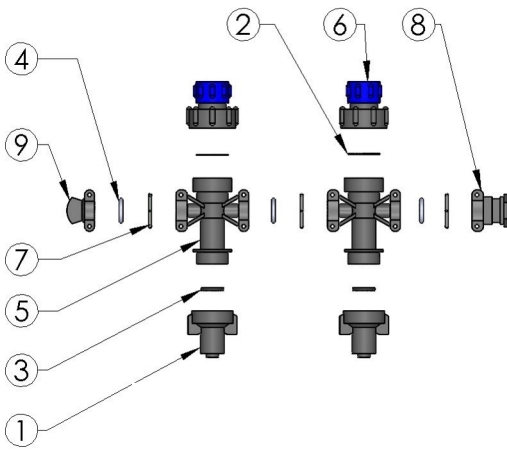
Metering tube may be configured with one or two tube sizes (colors) per row, depending on the application. In dual tube scenarios, a y-fitting will be used to join the tubes together before the placement method.





Available Replacement Part Numbers for Stainless Steel Manifolds

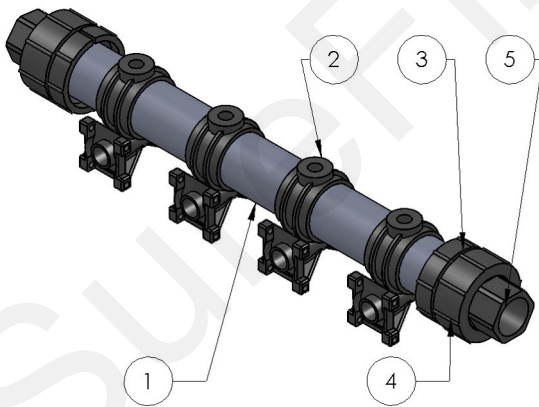
136-04-200400 (Dual 4 PSI Check Valve w/ Dual On / Off Valve)



ITEM NO.	PART NUMBER	DESCRIPTION	QTY.
1	132-40435-05	RadialLock Cap with 1/4" QC	2
2	133-03-40155-07	Wilger Replacement Fairprene Diaphragm for check valve	2
3	133-03-40160	Wilger O-ring Seal	2
4	133-03-40200-02	Wilger o-ring for in between the Combo-rate thru nozzle bodies	3
5	41100-01	Thru Body to use with 41110-01	2
6	41110-01	Combo-Rate Shut Off Module Assembly	2
7	701-20460-04	Wilger Lock U-clip	3
8	701-41256-00	Combo-Clip FE x 3/8" NPTF x 3/4" Sq Mount Adapter Assembly	1
9	701-41285-00	Combo-Clip male x plug	1

Note: Item 8 is not used with SS manifold assemblies

135-00-70276-04 (Eight Outlet Manifold Assembly)



ITEM NO.	PART NUMBER	DESCRIPTION	QTY.
1	135-05-70274-04	1.315" Stainless Pipe with four 9/16" holes at closest recommended spacing	1
2	135-05-41478-00	Dual Saddles for 9/16" holes with 5/16" bolt style clamp	4
3	135-05-25171-00	Quick-Nut Male Boom End Adapter for 1.315" SS Tube (Split Collar w/ external threads)	2
4	135-05-25160-03	Quick-Nut Nut for 1.315" SS Tube (threads onto 25171-00)	2
5	135-05-25164-01	Quick-Nut 1.315" SS Tube x 3/4" NPT FE Adapter	2

Note: Also available in configurations with four outlets (135-00-70276-02) and twelve outlets (135-00-70276-06)