



396-001570

John Deere 1720/1725

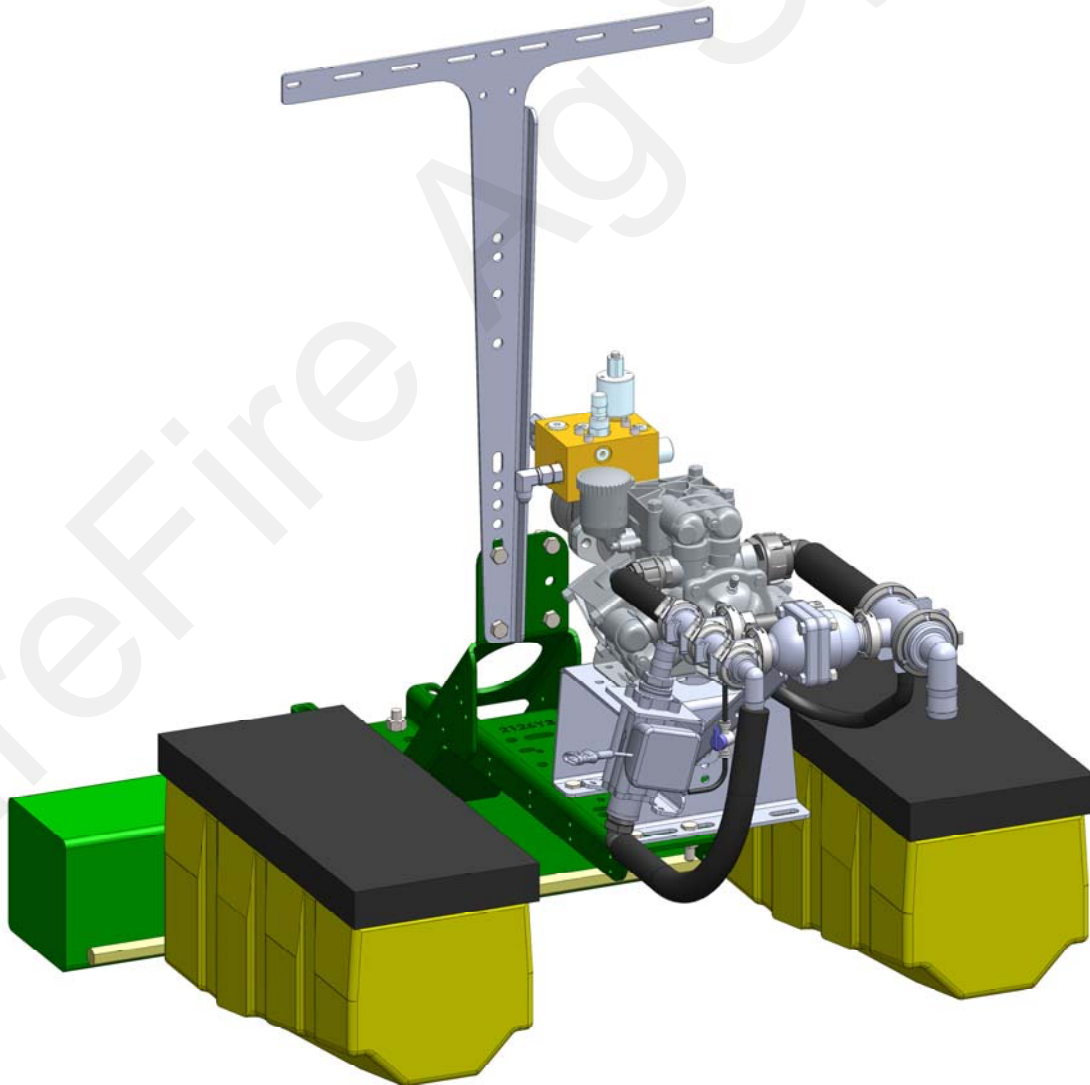
Rear Extension Mount

Instruction Sheet

Planter Manufacturer: John Deere

Kit Number: 515-200850

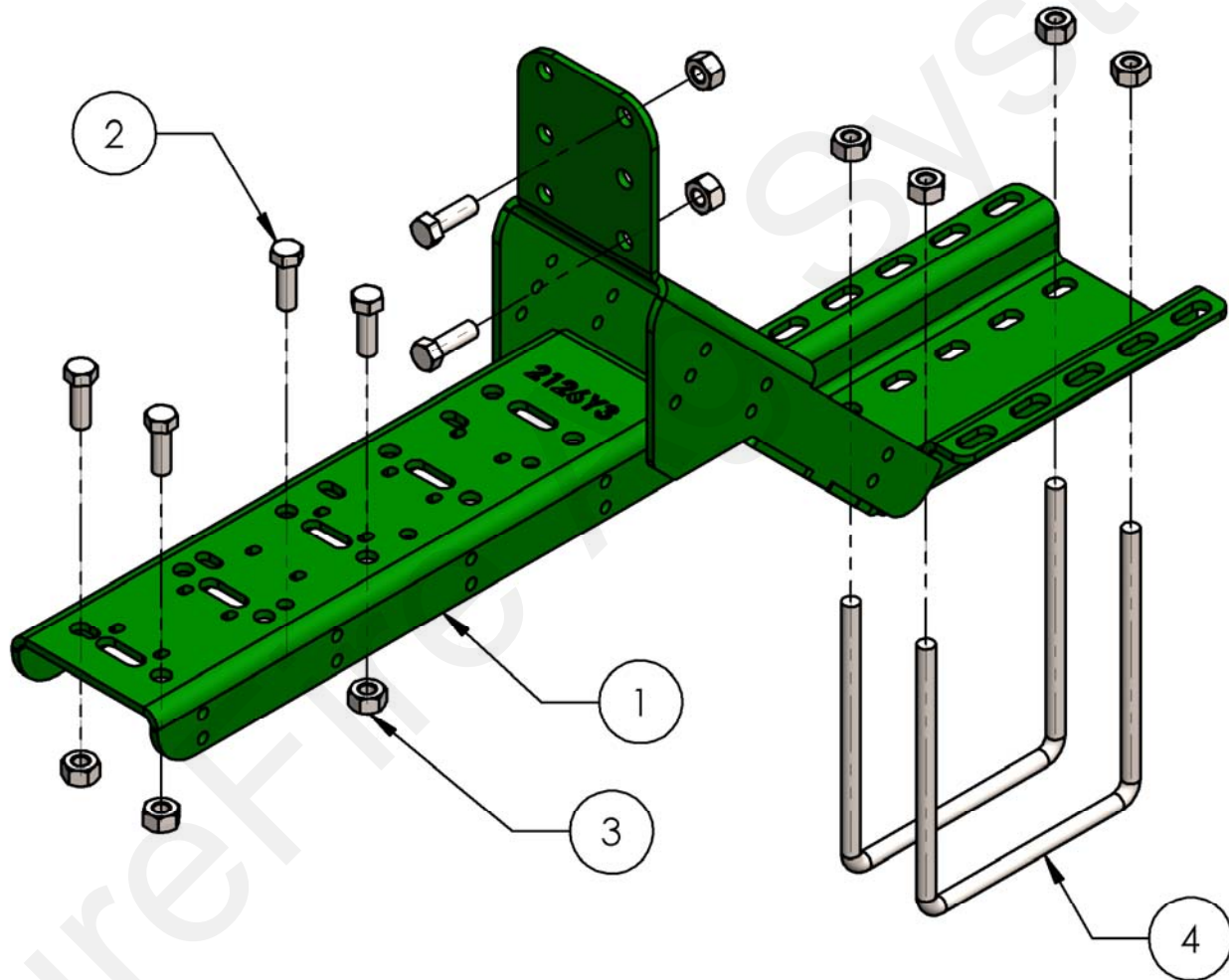
SureFire D70 or D115 PumpRight pumps can be mounted on this bracket which is mounted rearward of the 7x7 toolbar. The bracket can also be used to mount section valves or SureFire LiquiShift® Valve Stack as well as a SureFire Flow Indicator Tee Bracket. Mounting of electric section valves or LiquiShift® with PumpRight will require purchasing two kits. Flow Indicator brackets can be mounted along with any configuration. (Shown below with PumpRight D115 and Flow Indicator T-Bracket, ordered separately.)





Parts List and Exploded View

ITEM NO.	PART NUMBER	DESCRIPTION	QTY.
1	400-2126Y3-GN	John Deere 1720/1725 Rear Extension	1
2	300-080108-5	1/2" x 1-1/2" Hex Head Bolt—G5	6
3	323-08	1/2" Flange Nut	6
4	380-1001	1/2" U-Bolt Kit—Fits 7x7 Tube*	2

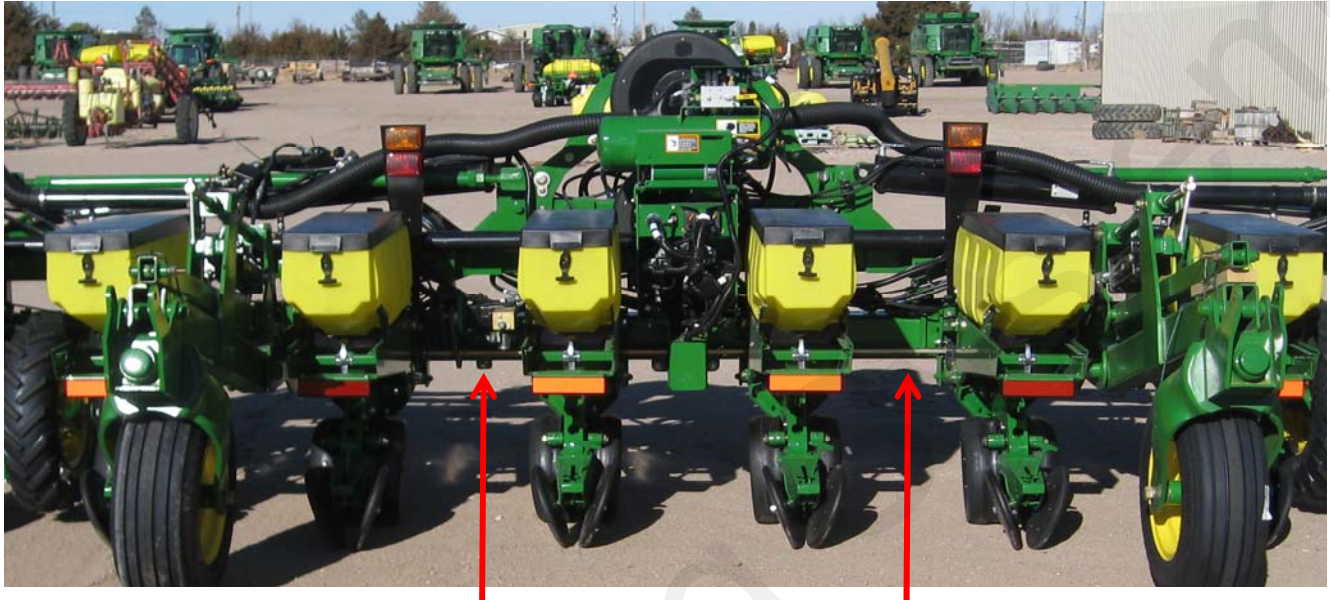




Step by Step Instructions

John Deere 1720

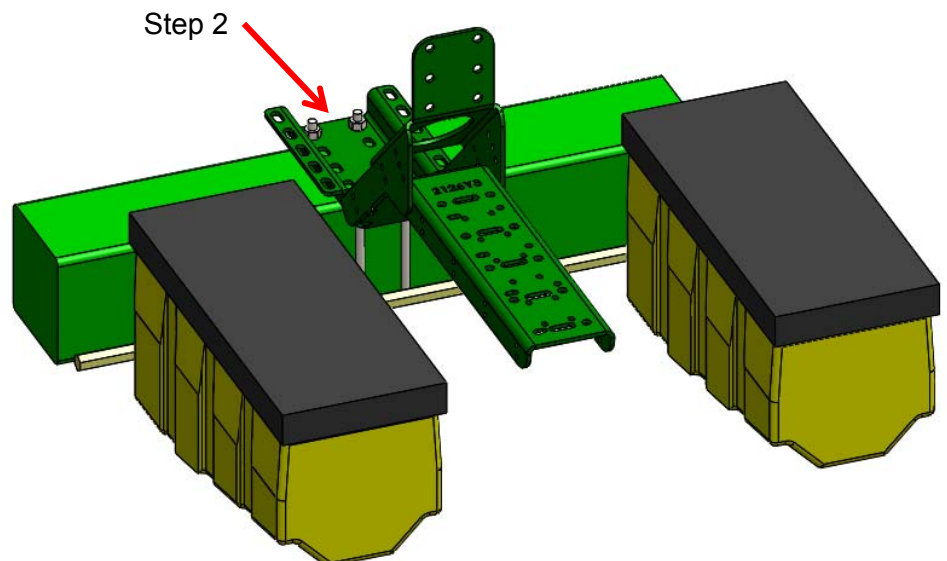
John Deere began mounting the electronics and air compressor on a mount in the very middle of the Model 1720 planter in late 2011. Between the seed boxes just right and left of center are two open locations where liquid fertilizer systems can be mounted. This bracket is designed to be installed in either of these locations.



Section Valves
Flow Indicators

Pump OR Section
Valves / Flow Indicators

1. Position bracket in the desired location as shown above. The bracket will fit over the seed drive hydraulic motor, if applicable. The bracket is designed to be installed on the top or bottom side of toolbar. Installing the bracket on the top side may help with clearance above seed boxes.
2. Loosely mount 400-2126Y3 bracket to 7x7 planter toolbar using 1/2" x 7" x 8-1/2" U-bolts provided with the kit.
3. Install Flow Indicator Brackets, PumpRight, Section Valves or LiquiShift® on the extension bracket using the instructions on the following pages.
4. Check final installation for clearance and wrench tighten all bolts and u-bolts.



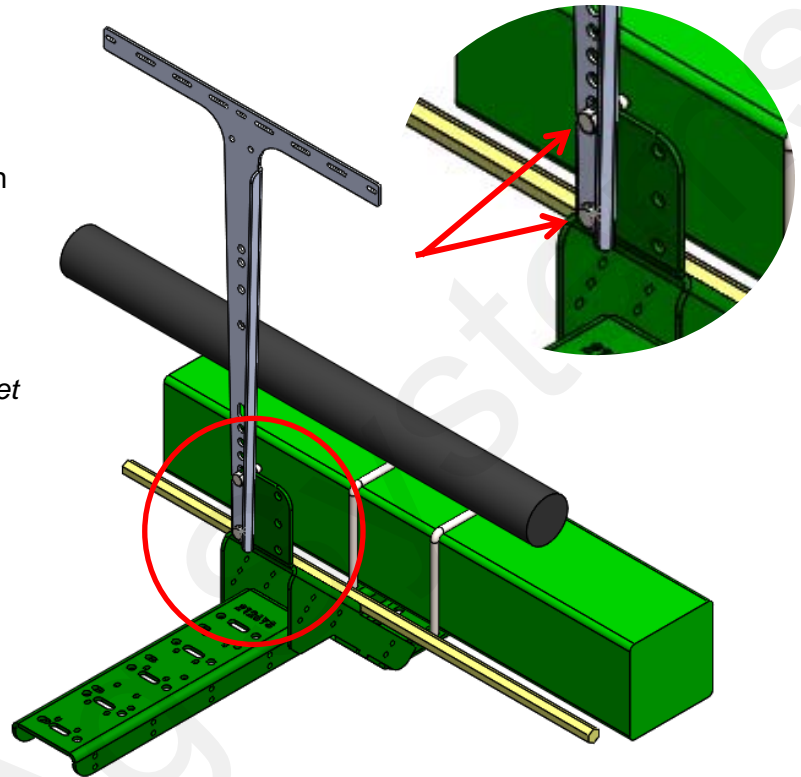


Step by Step Instructions Flow Indicator and Section Valves

Flow Indicator Bracket

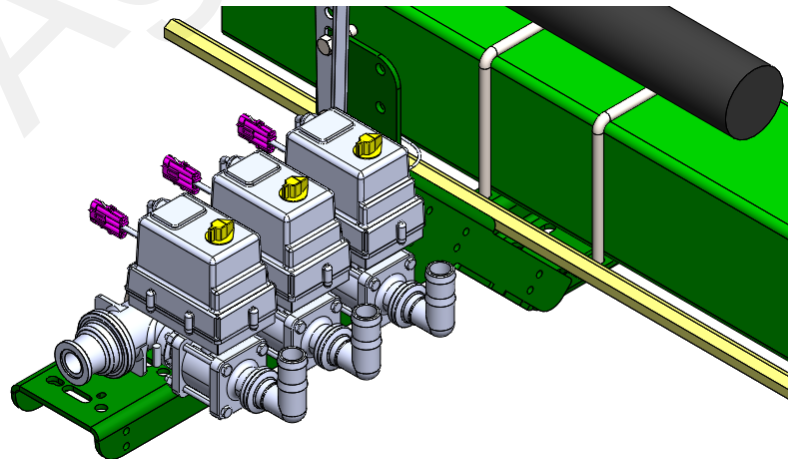
1. Using two (2) 1/2" x 1-1/2" Hex Head Bolts and 1/2" flange nuts, attach flow indicator T-bracket (ordered separately) to the top portion (left or right row of holes) of the bracket.
2. Check for clearance and wrench tighten all bolts and u-bolts.

Note: SureFire T-brackets for flow indicators can be mounted on the John Deere 1720/1725 bracket along with PumpRight or Section Valves.

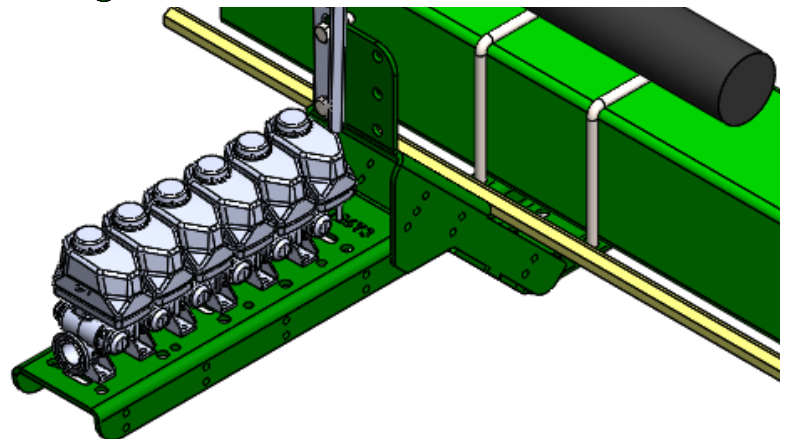
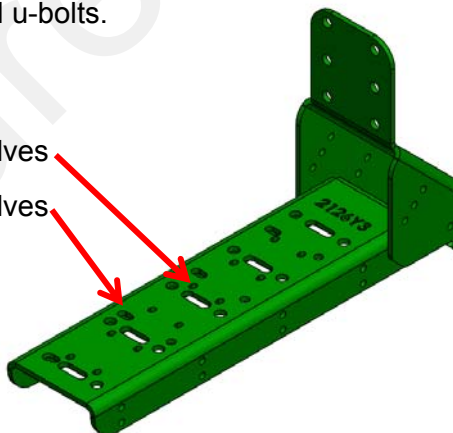


Section Valves

1. Section valves (maximum of 4 Banjo or 6 KZ, ordered separately) can be mounted on this bracket, in place of a pump. Two brackets are needed if you wish to mount a pump and section valves in this manner. The section valves will mount as shown below. The section valve inlet can face rearward (as shown) or forward. It may also be necessary to use 90° hose barbs on the outlet fittings to fit in between the planter boxes.
2. Check for clearance and wrench tighten all bolts and u-bolts.



KZ Valves
Banjo Valves



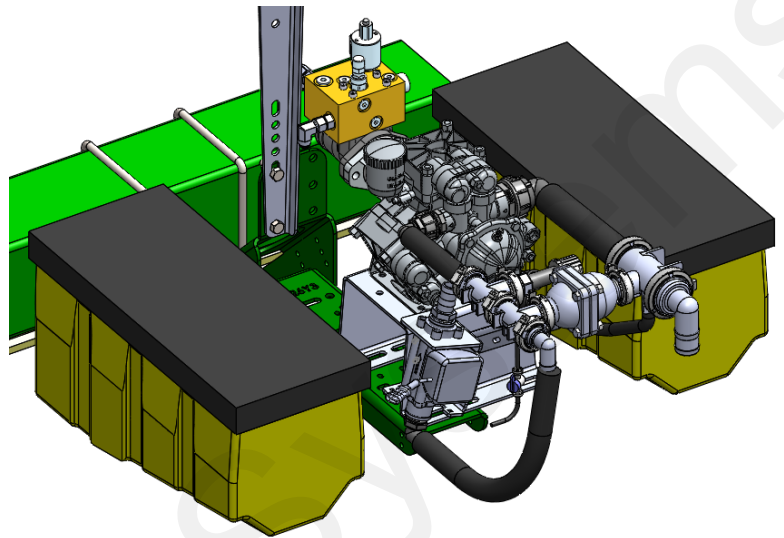


Step by Step Instructions PumpRight D70 or D115

PumpRight Installation - Plumbing to Rear

This bracket can be used to mount the PumpRight D70 or D115 between row units or seed boxes. It is recommended the pump be installed on the right side of the planter as there are less interferences (See Page 3).

1. Orient the pump with the plumbing facing the rear of the planter and bolt pump stand to extension bracket using four (4) 1/2" x 1-1/2" hex head bolts.
2. Check for clearance and wrench tighten all bolts and u-bolts.



PumpRight Installation - Plumbing to Front

1. Orient the pump with the plumbing facing the front of the planter and bolt pump stand to extension bracket using four (4) 1/2" x 1-1/2" hex head bolts.
2. Check for clearance and wrench tighten all bolts and u-bolts.

Note: If installing with flow indicator tee bracket, the pump should be installed first.

