



396-001370

Tank Mounting Instructions

3S4000 40' Drill

400 and 500 Gallon Elliptical Tank

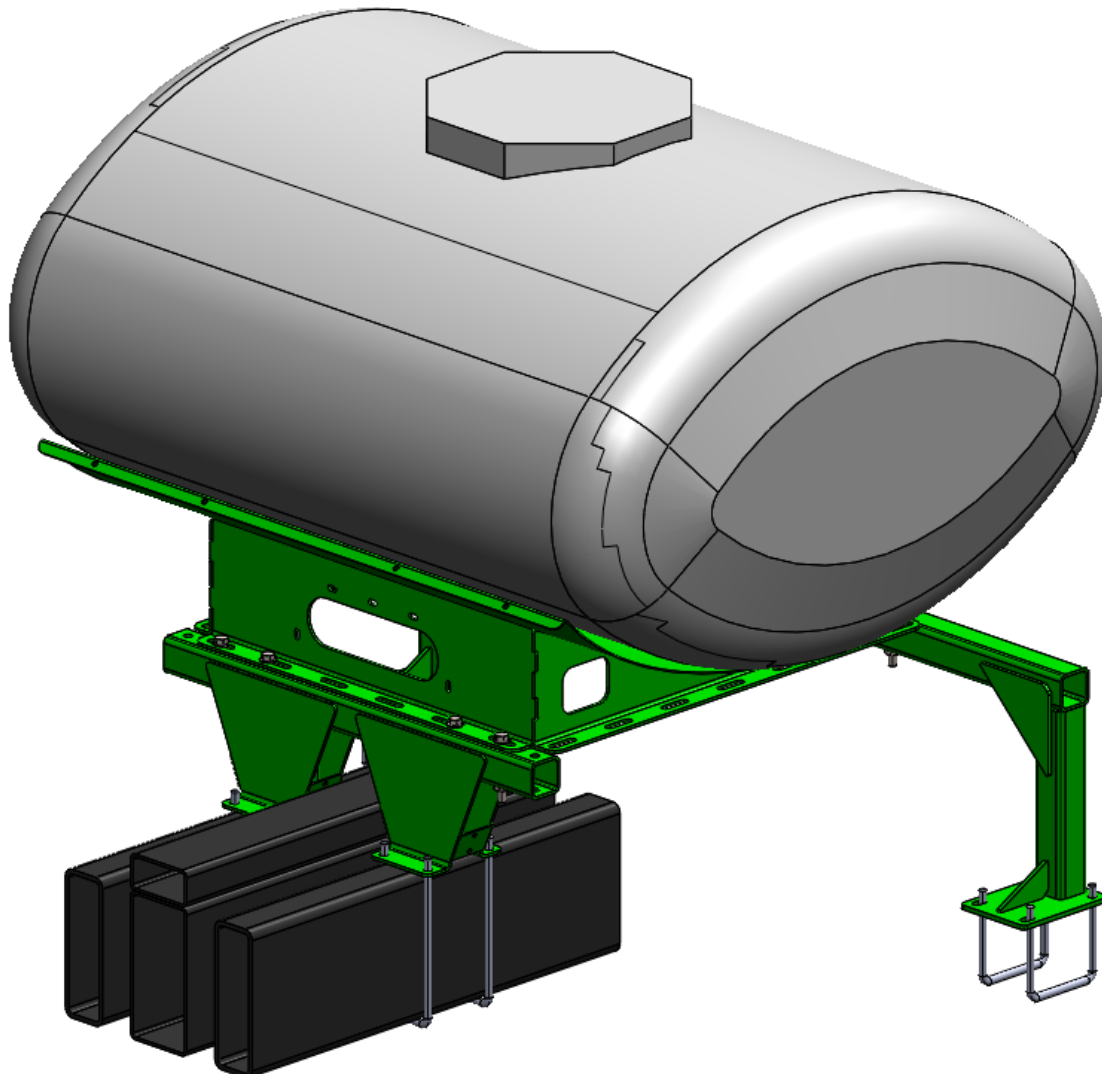
Drill Manufacturer:



Kit Number:

551-04-200500: 400 Gallon

551-04-200600: 500 Gallon

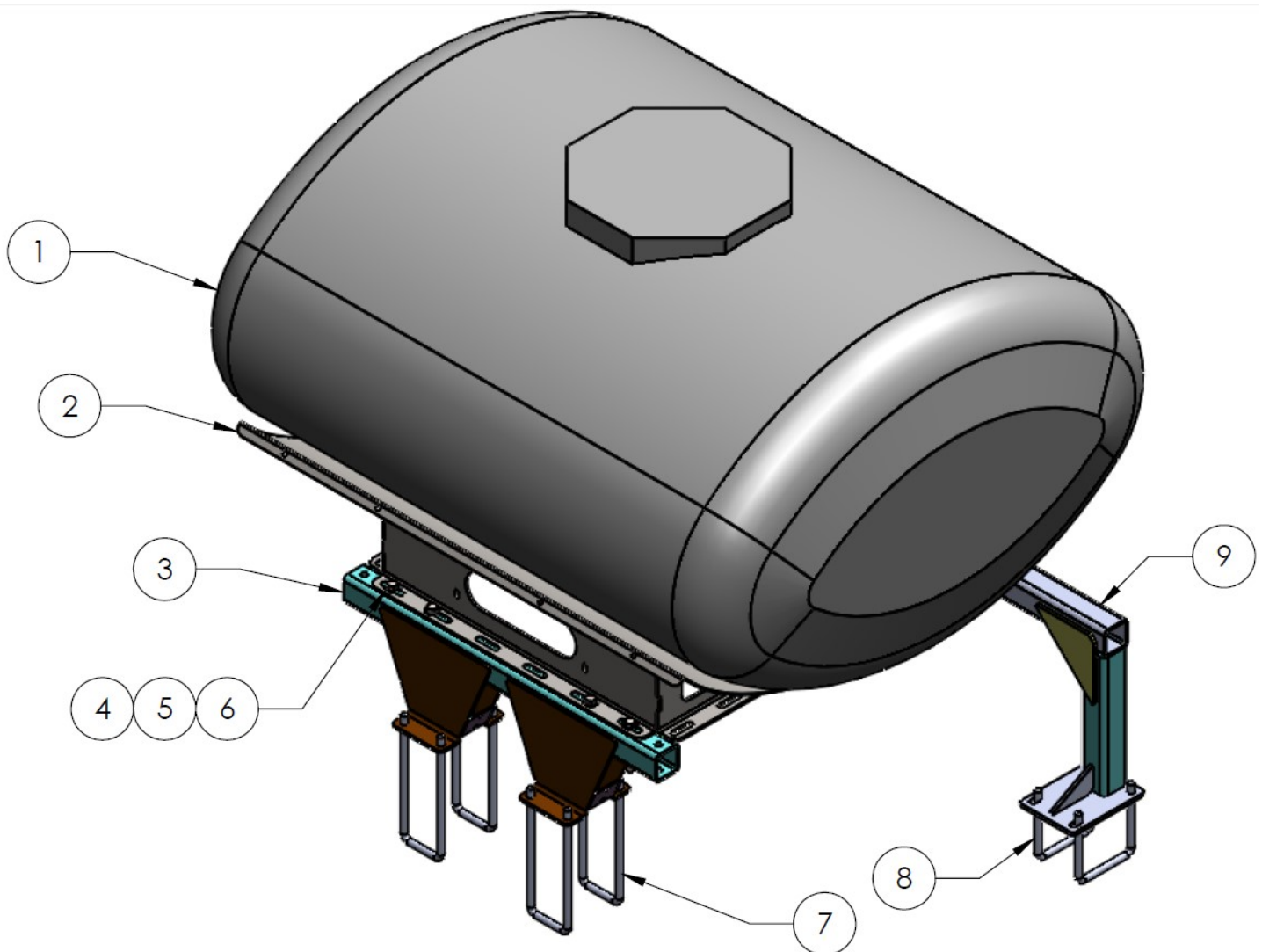




Parts List and Exploded View

Kit Number:
551-04-200500: 400 Gallon

ITEM NO.	PART NUMBER	DESCRIPTION	QTY.
1	727-01-HE00400	Elliptical Tank - 400 Gallon	1
2	421-1333A2	400 Gallon Elliptical Black Cradle	1
3	450-1063A2	Great Plains 40' Frt Brkt	1
4	300-100500-5	5/8" x 5" HCS G5	8
5	323-10	5/8" Flange Nut	8
6	330-10	5/8" Flat Washer	8
7	380-1044	5/8" x 4" x 13-1/2" Square Bend U-Bolt	4
8	380-1042	5/8" x 6" x 7-1/2" Square Bend U-Bolt	4
9	450-1058A1	Rear Bracket WA 30' & 40' Great Plains	1
10	525-3000	3" Tank Strap Kit for 400 - 1000 gal tank	2
11	396-001370	Instruction Sheet	1

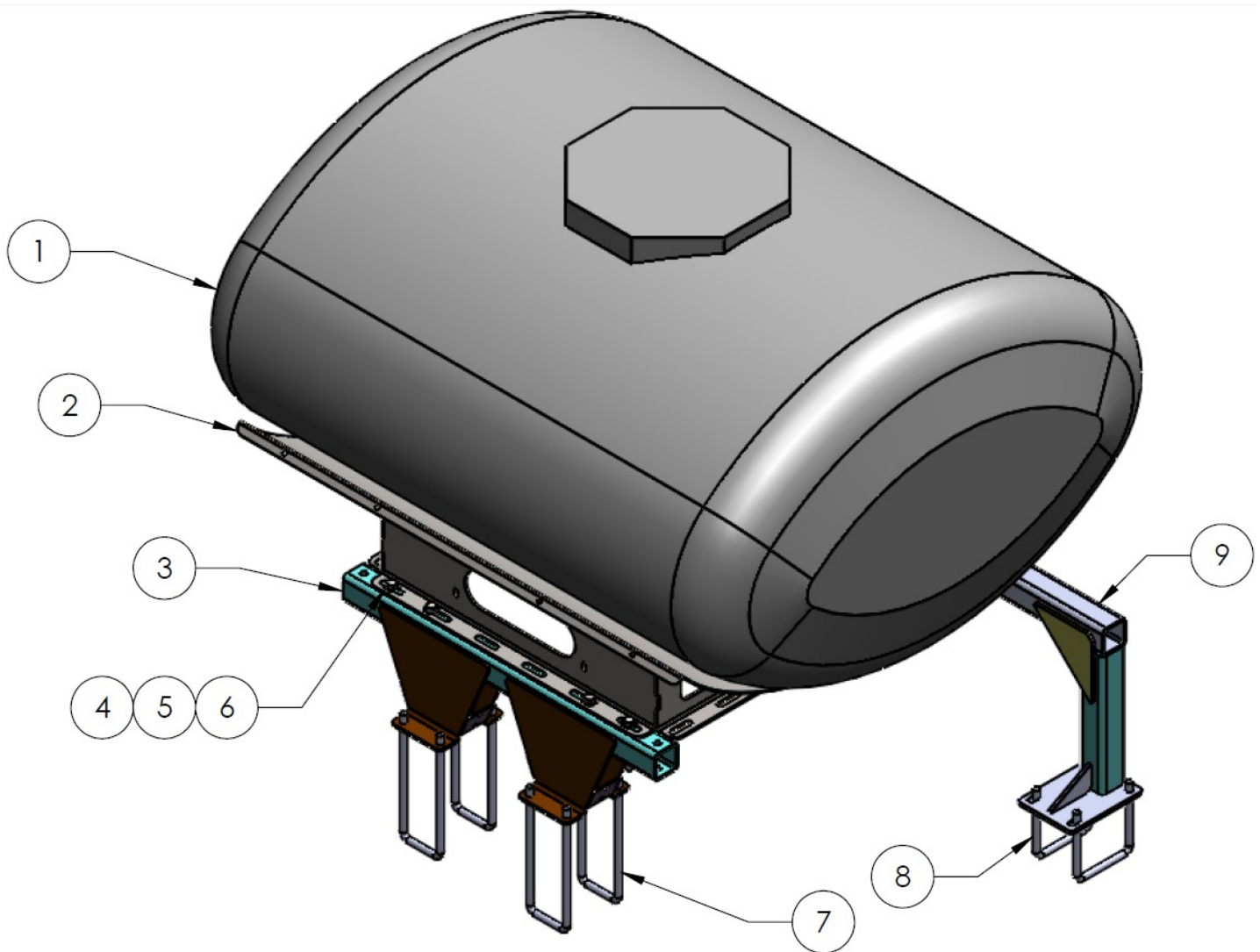




Parts List and Exploded View

Kit Number:
551-04-200600: 500 Gallon

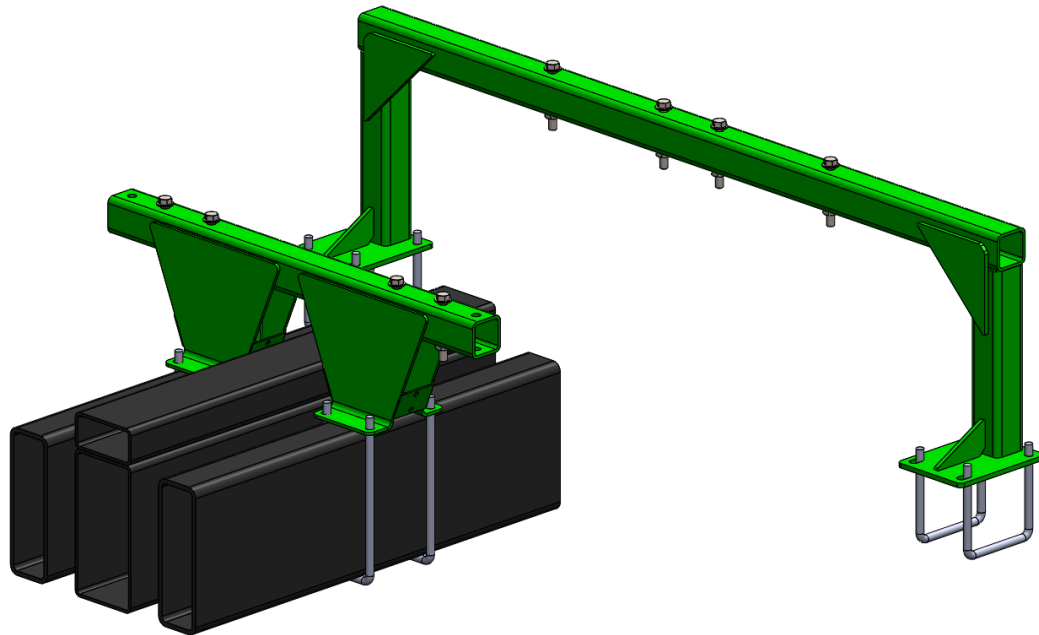
ITEM NO.	PART NUMBER	DESCRIPTION	QTY.
1	727-01-HE00500	Elliptical Tank - 500 Gallon	1
2	421-13A2	500 Gallon Elliptical Black Cradle	1
3	450-1063A2	Great Plains 40' Frt Brkt	1
4	300-100500-5	5/8" x 5" HCS G5	8
5	323-10	5/8" Flange Nut	8
6	330-10	5/8" Flat Washer	8
7	380-1044	5/8" x 4" x 13-1/2" Square Bend U-Bolt	4
8	380-1042	5/8" x 6" x 7-1/2" Square Bend U-Bolt	4
9	450-1058A1	Rear Bracket WA 30' & 40' Great Plains	1
10	525-3000	3" Tank Strap Kit for 400 - 1000 gal tank	2
11	396-001370	Instruction Sheet	1



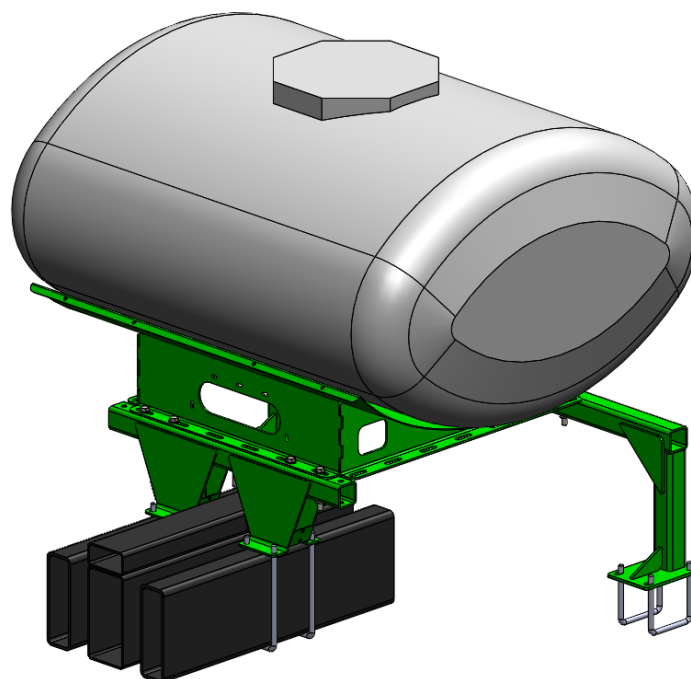


Step by Step Instructions

1. Loosely u-bolt rear stand to drill, centered on the center drill box. Note that vertical tubes are offset to the rear of the drill.
2. Loosely u-bolt front stand to drill in location shown.



3. Set cradle on stands and bolt down using 5/8" bolts in locations shown above. The front stand may be adjusted forward or backwards as necessary.
4. Once cradle is in place, tighten all bolts.
5. Set and strap tank in place on cradle.





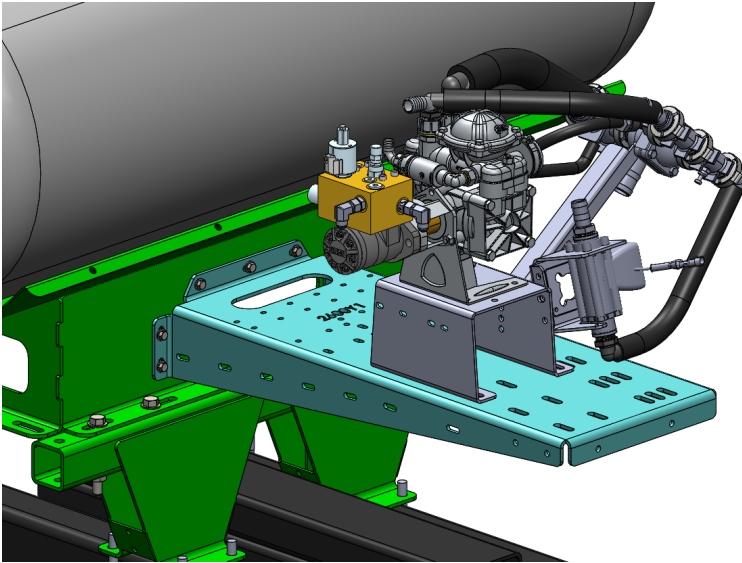
Step by Step Instructions

In some cases, the wing folding cylinders may be in the way or interfere with the Front Tank Bracket (450-1063A2) mounting position. Move the bracket back and fasten to the side slots on the Tank Cradle (421-13A2). See Diagram below...

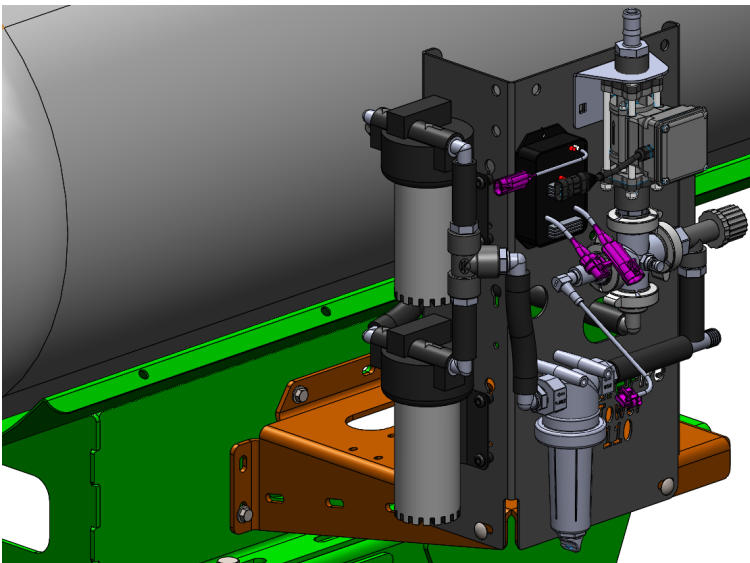




Optional/Related Items



PumpRight Bracket Kit
Kit Number: 515-203200
Instruction sheet: 396-2613Y1



Tower Bracket Kit
Kit Number: 511-100850
Instruction sheet: 396-2648Y1

Tank Fill Kit: 555-101350
Tower Discharge Kit: 556-1001
PumpRight Discharge Kit: 520-00-103600

Instruction Sheet: 396-2645Y1



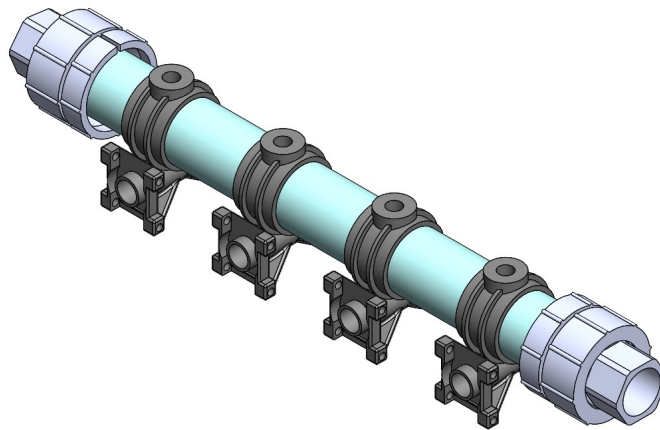
Optional/Related Items

Manifold Kits:

Instruction sheet for this kit: **396-2618Y1**

553-04-40000: 40' 7.5" spacing

553-04-40500: 40' 10" spacing



Stainless Steel Tubes:

270-54HD (shown at left)

270-54

270-GP10SERIESHD

Note: When tubes are installed on the HD openers, the seed flapper must be removed.