



# 396-001190

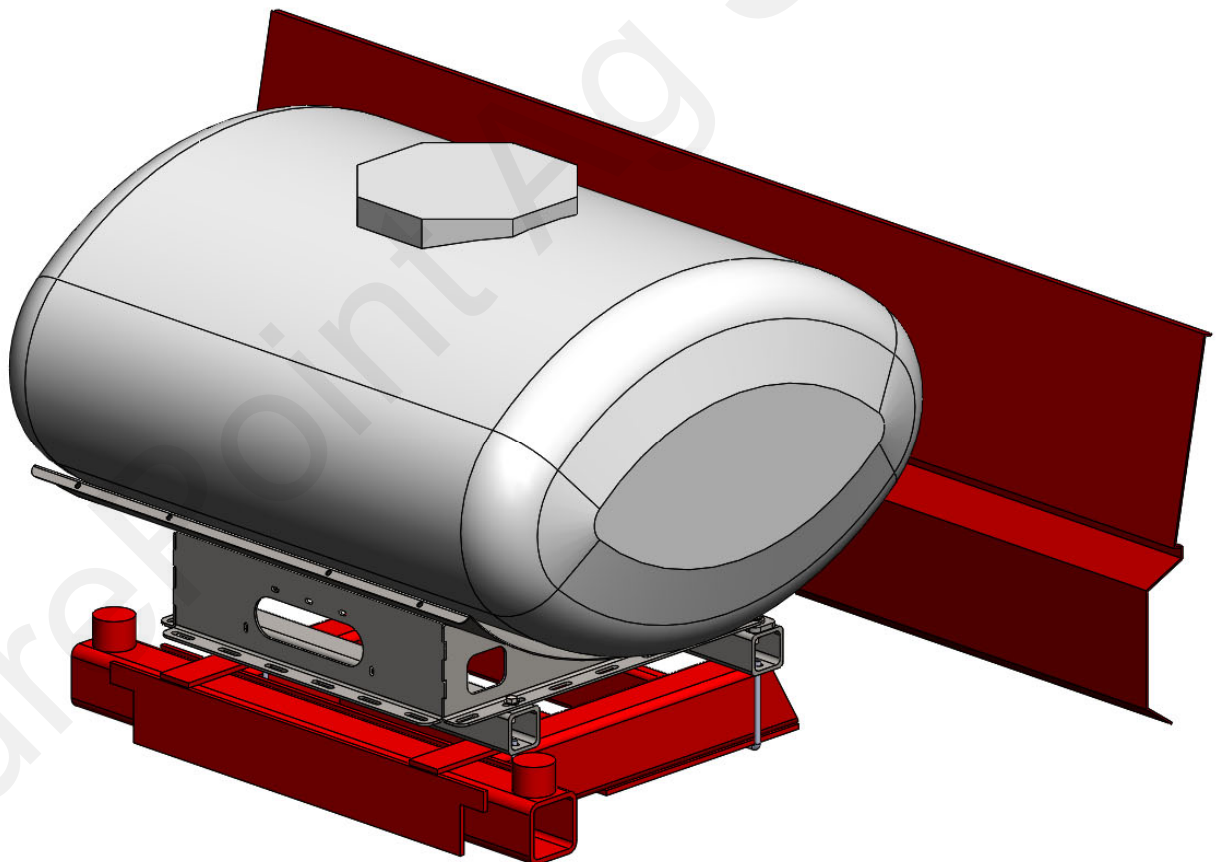
## Tank Mounting Instructions 400 and 500 Gallon Elliptical Tank Sunflower 9434

Drill Manufacturer: **SUNFLOWER**

### Kit Numbers:

551-01-100500: 400 Gallon

551-01-100750: 500 Gallon

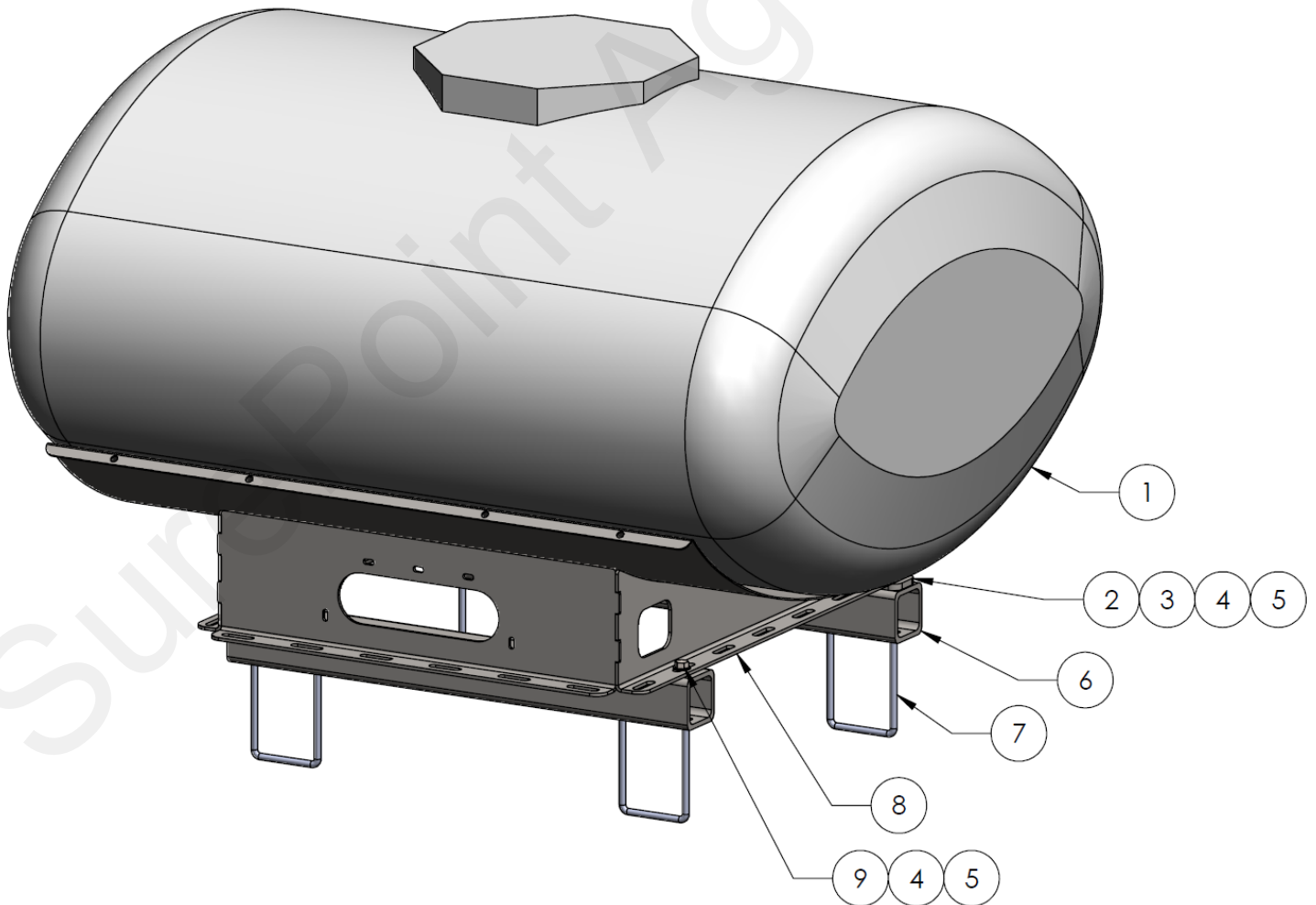




# Parts List and Exploded View

551-01-100500: 400 Gallon

ITEM NO.	PART NUMBER	DESCRIPTION	QTY.
1	727-01-HE00400	Elliptical Tank - 400 Gallon	1
2	421-1332A1-BK	3" X .5" SPACER	2
3	300-100208-5	5/8" x 2-1/2" HCS G5	2
4	330-10	5/8" Flat Washer	4
5	323-10	5/8" Flange Nut	4
6	421-1331A1-BK	4" X 40" X .375" TUBING	2
7	380-1014	1/2" x 5" x 8-1/2" Square Bend U-Bolt	4
8	421-1333A2-BK	400 Gallon Elliptical Black Cradle	1
9	300-100200-5	5/8" x 2" HCS G5	2
10	525-3000	3" Tank Strap Kit for 400 - 1000 gal tank	2

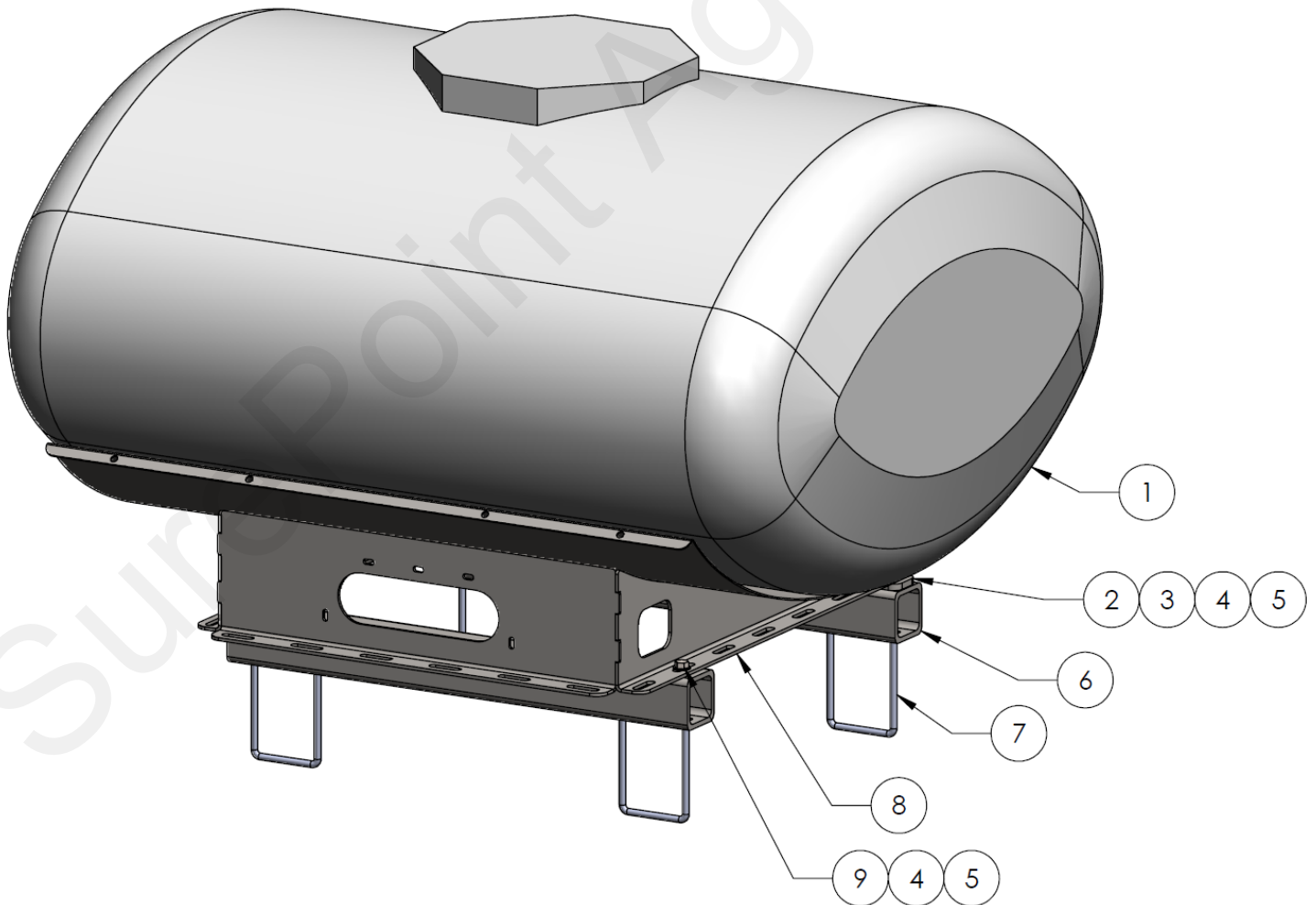




# Parts List and Exploded View

551-01-100750: 500 Gallon

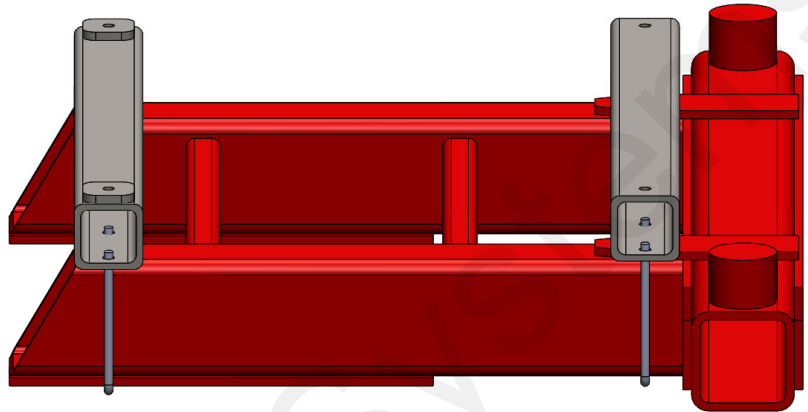
ITEM NO.	PART NUMBER	DESCRIPTION	QTY.
1	727-01-HE00500	Elliptical Tank - 500 Gallon	1
2	421-1332A1-BK	3" X .5" SPACER	2
3	300-100208-5	5/8" x 2-1/2" HCS G5	2
4	330-10	5/8" Flat Washer	4
5	323-10	5/8" Flange Nut	4
6	421-2097A1-BK	4" Tube for Sunflower 500 Gal Tank	2
7	380-1029	1/2" U-Bolt Kit - 5" x 11-1/2" tube	4
8	421-1329A2-BK	500 Gallon Elliptical Black Cradle	1
9	300-100200-5	5/8" x 2" HCS G5	2
10	525-3000	3" Tank Strap Kit for 400 - 1000 gal tank	3





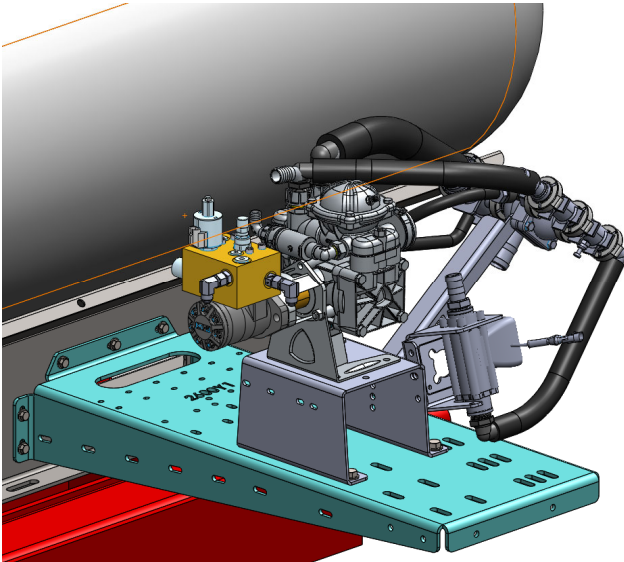
# Step by Step Instructions

1. Loosely U-bolt the 4"x4" supports across the frame of the drill in front of the center section.
2. Set spacers on rear support. The spacers are necessary to have the tank set level with the drill frame.

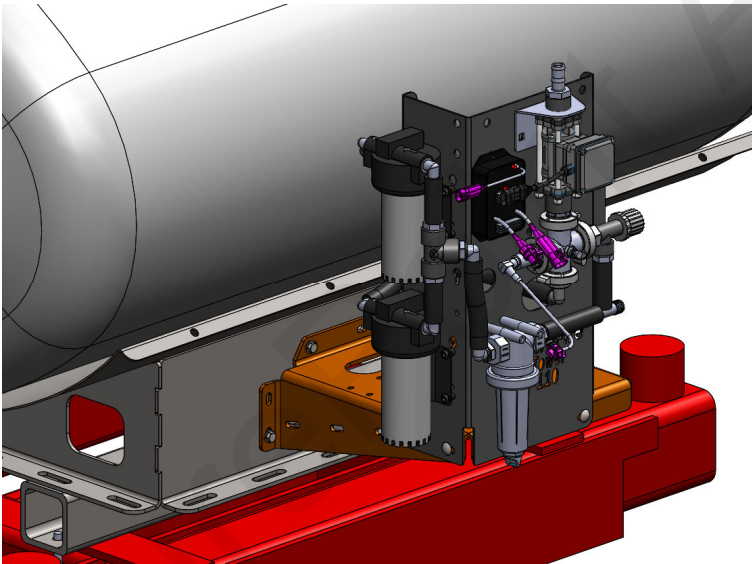


3. Set the tank cradle on the 4"x4" supports. Bolt down with 5/8" bolts (2" bolts in the front, 2-1/2" bolts in the rear), washers, and flange nuts.
4. Set and strap tank into place on the cradle. Open the center section lid to ensure that the tank does not interfere with the lid opening.
5. Tighten down U-bolts from step 1.

## Optional/Related Items



**PumpRight Bracket Kit**  
**Kit Number: 515-203200**  
**Instruction sheet for this kit:**  
**396-2613Y1**



**Tower Bracket Kit**  
**Kit Number: 511-100850**  
**Instruction sheet for this kit:**  
**396-2648Y1**

**Tank Fill Kit: 555-101350**  
**Tower Discharge Kit: 556-1001**  
**PumpRight Discharge Kit: 520-00-103600**

**Instruction Sheet: 396-2645Y1**





## Optional/Related Items

### Manifold Kit Numbers:

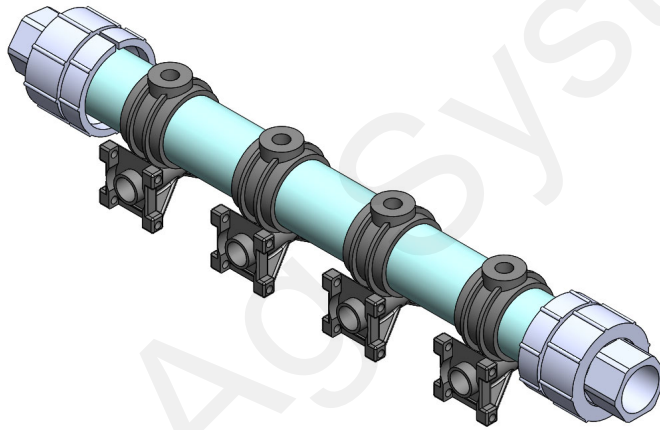
Instruction sheet for these kits: 396-2619Y1

**553-01-30000:** 30' 7.5" spacing

**553-01-30500:** 30' 10" spacing

**553-01-40000:** 40' 7.5" spacing

**553-01-40500:** 40' 10" spacing



### Stainless Steel Tubes:

270-1242A1 (shown below)

270-9431-96

