

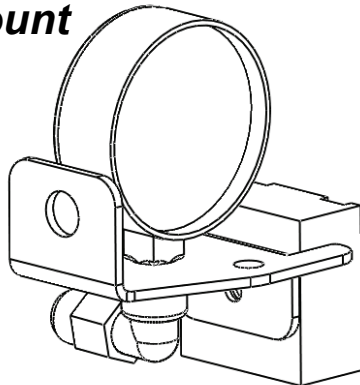


SureFire Remote Mount Pressure Gauge Kit

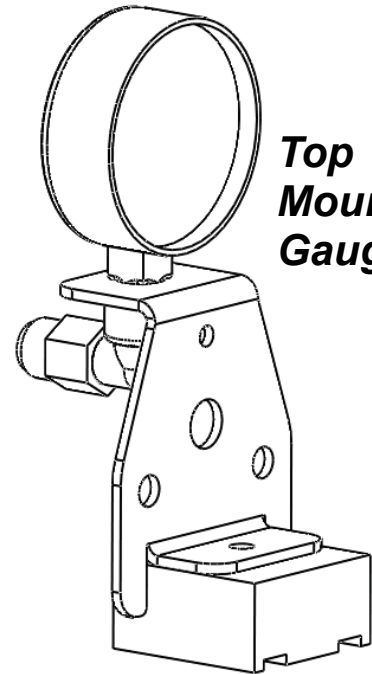
60 PSI—Electric Pump(s)

160 PSI—Hydraulic Pump

Side Mount Gauge



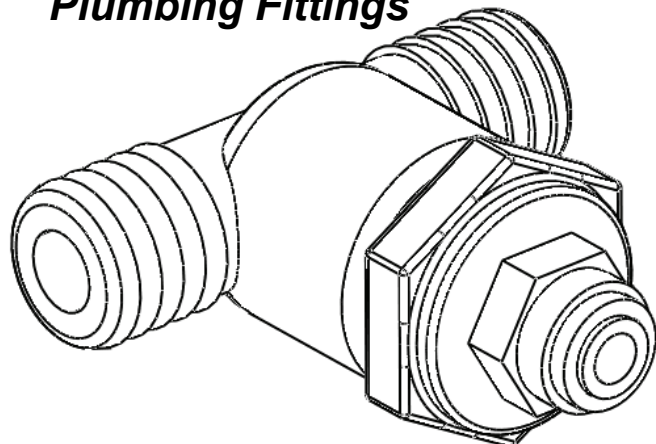
Top Mount Gauge



The remote pressure gauge kit includes a gauge with bracket and magnet for easily mounting in any visible location on your implement. The bracket will work to mount to the top or side of a metal frame. Assemble as shown for the mounting that works best in your application.

Also included in each kit are the plumbing fittings to tap into your system. Assemble the 3/4" tee, 3/4" x 1/4" reducer bushing and 1/4" quick connect adapter as shown to the right. Install this assembly in 3/4" hose prior to your manifolds and orifices.

Pressure Tap Plumbing Fittings



Finally, run the 1/4" black tubing from the tee assembly to the gauge mount location.