

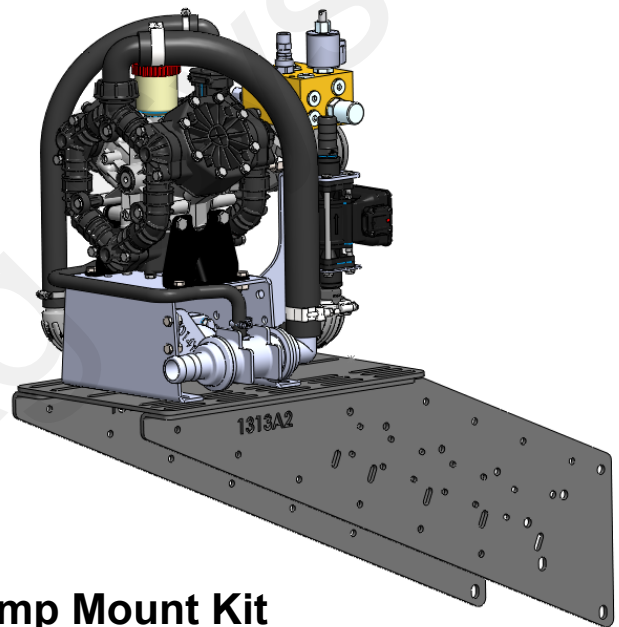


396-001050

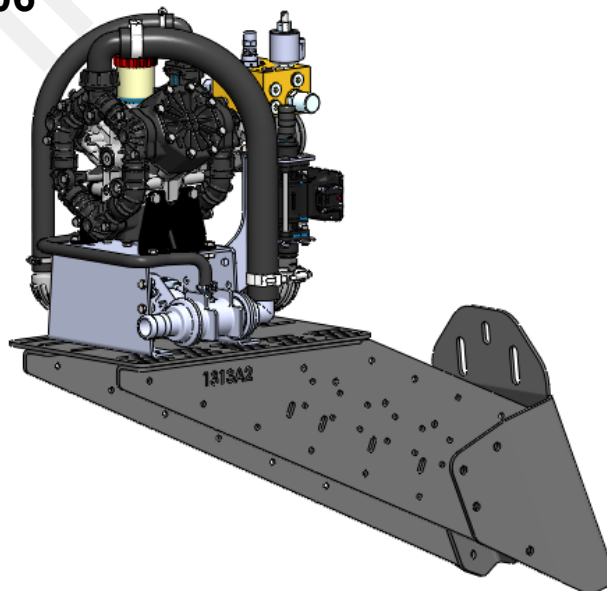
John Deere 1770/1775NT Planter Over Tire Pump Kit

Planter Manufacturer: John Deere

24 Row 1770/1775NT Over Tire Pump
Mount Kit



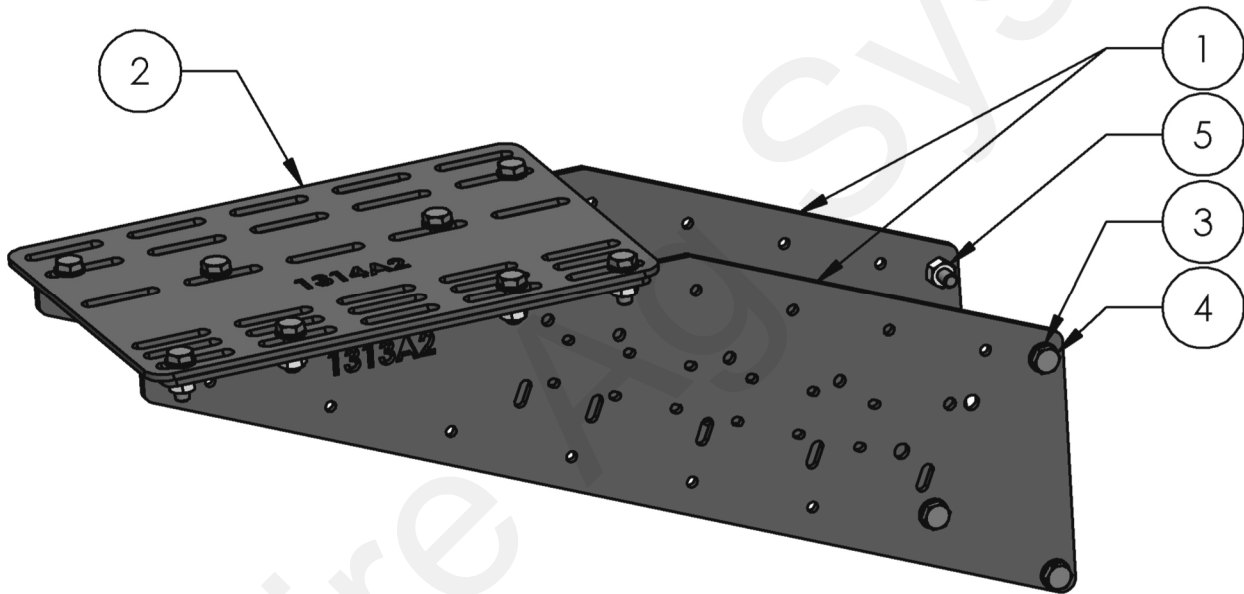
12&16 Row 1770/1775NT Over Tire Pump Mount Kit
Kit Number: 515-2006





Parts List and Exploded View Kit: 515-2005, 24 Row

ITEM NO.	PART NUMBER	DESCRIPTION	QTY.
1	400-1313A2-GN	John Deere Over Tire Pump Mount - Side	2
2	400-1314A2-GN	John Deere Over Tire Pump Mount - Top	1
3	300-080108-8	1/2" x 1-1/2" Hex Head Bolt	14
4	323-08	1/2" Flange Nut	14
5	330-08	1/2" Flat Washer	14



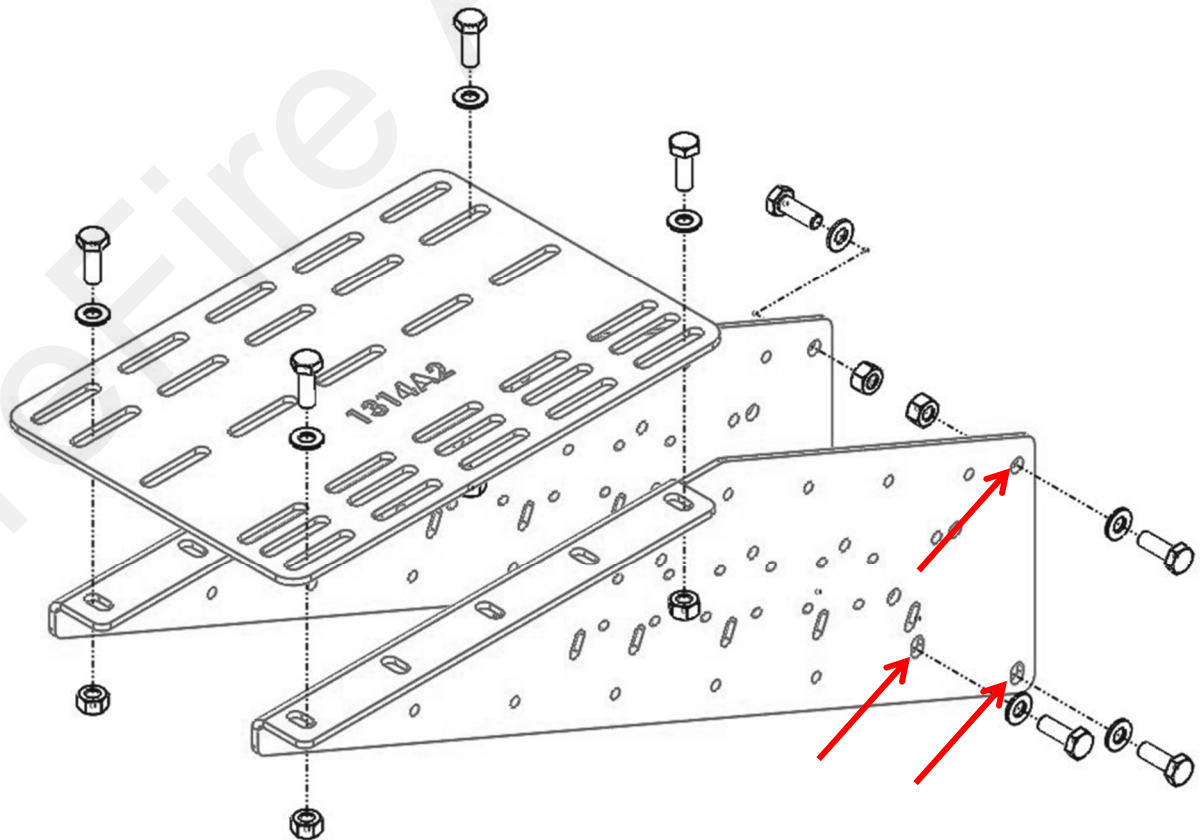


Step by Step Instructions (24 Row Only)

The cylinder brackets for the center 2 tires on the planter have the hole pattern to mount the bracket to. Arrows point to the 3 holes to use in the picture to the right.

1. Align three holes of side bracket with three holes on the planter (indicated with arrows). The bracket mounts on the outside of the planter.*
2. Use three (3) 1/2" x 1 1/2" Grade 8 bolts to mount the side brackets (shown below) individually to the planter. Tighten finger tight.
3. Use four (4) 1/2" x 1-1/2" Grade 8 bolts to mount top plate to side brackets in four corners as shown below.*
4. Upon completion of top plate mounting, wrench tighten side bracket bolt

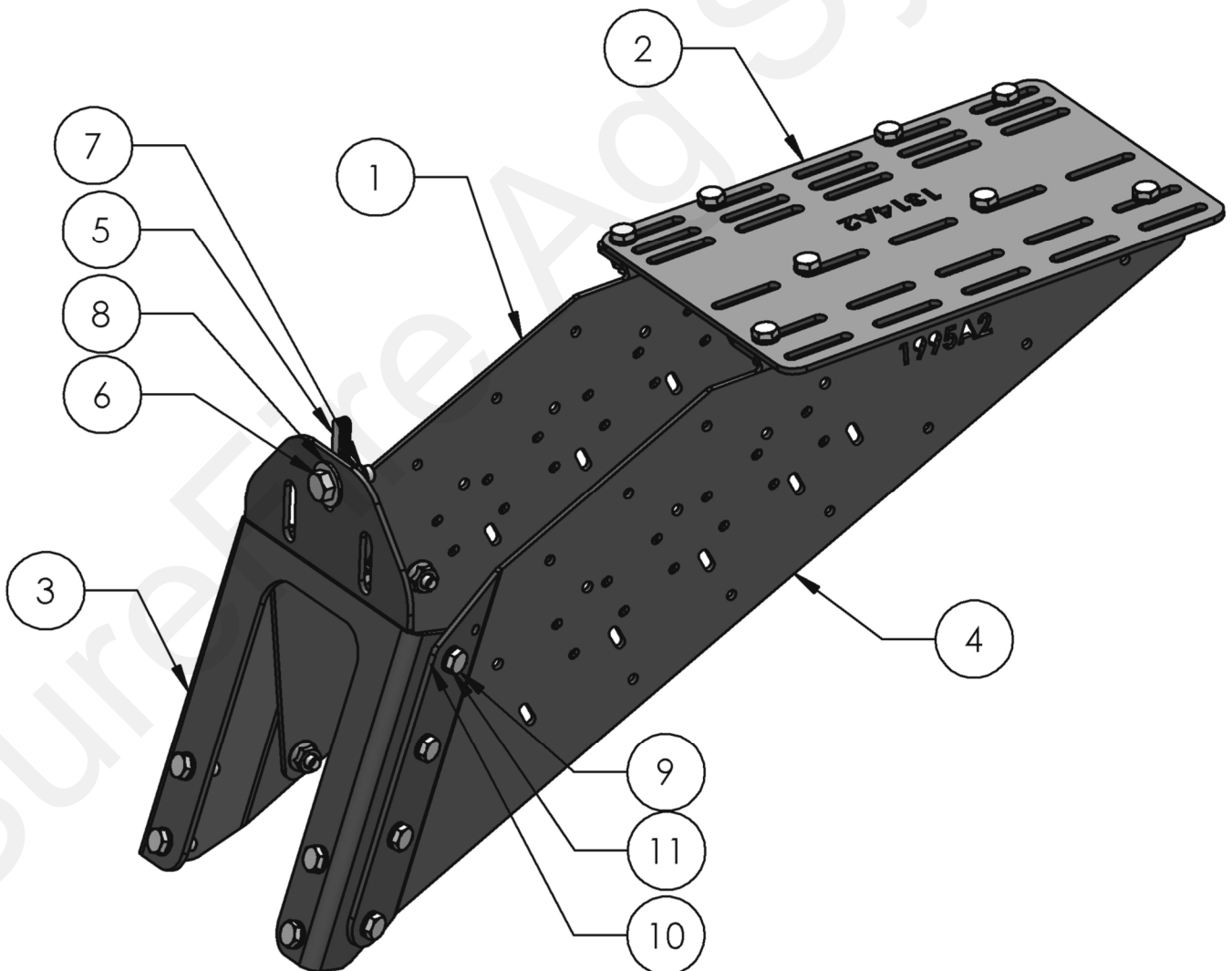
*NOTE: The exception to this mounting is an installation of PumpRight D250 with plumbing to the rear. Right side plate will be installed on the inside of the cylinder support plate and second row of holes will be utilized. Refer to Page 8 for more information.





Parts List and Exploded View Kit: 515-2006, 12/16 Row

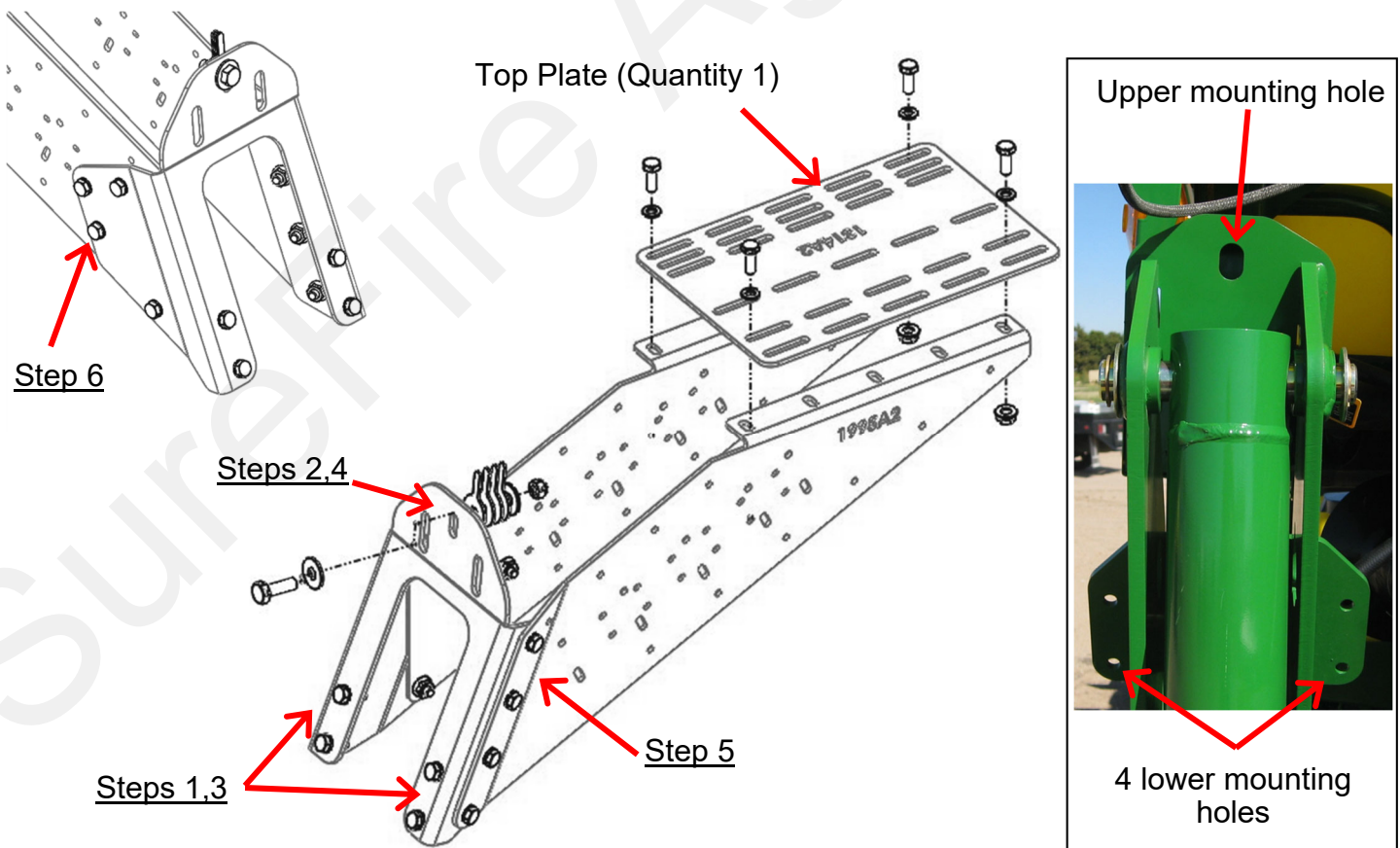
ITEM NO.	PART NUMBER	DESCRIPTION	QTY.
1	400-1313A2-GN	John Deere Over Tire Pump Mount - Right Side	1
2	400-1314A2-GN	John Deere Over Tire Pump Mount - Top	1
3	400-1994A1-GN	John Deere 1770NT Over Tire Pump Mount - Front	1
4	400-1995A2-GN	John Deere 1770NT Over Tire Pump Mount - Left Side	1
5	400-1999A1-GN	Shim - 3mm Shim for 5/8" Bolt	4
6	300-100208-5	5/8" x 2-1/2" Hex Head Bolt - G5	1
7	321-10	5/8" Nylock Nut	1
8	330-10	5/8" Flat Washer	2
9	300-080108-8	1/2" x 1-1/2" Hex Head Bolt - G8	22
10	323-08	1/2" Flange Nut	22
11	330-08	1/2" Flat Washer	22



Step by Step Instructions (12/16 Row Only)

On 12/16 row planters, the bracket mounts over the outside two rear tires. Brackets can be mounted on the left or right or both sides of a planter.

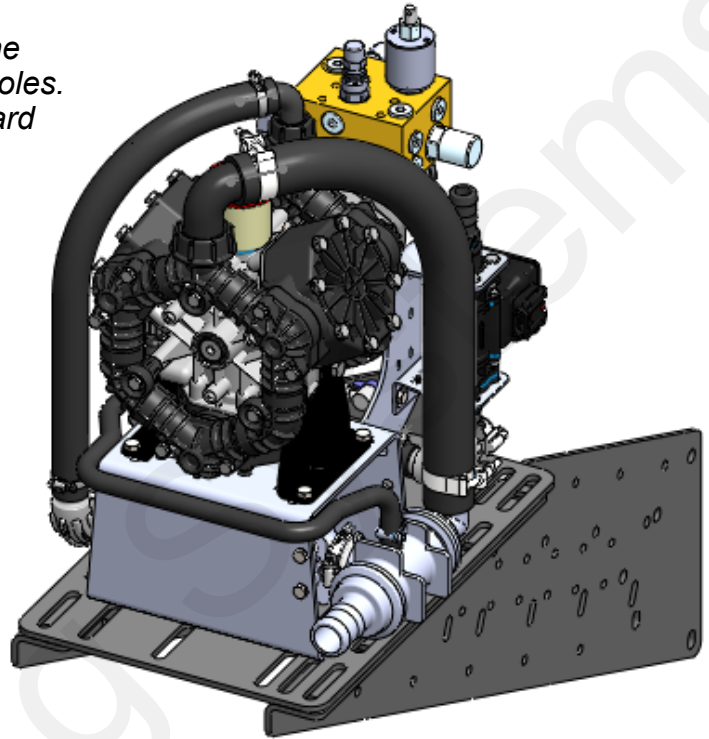
1. Mount the front bracket on the front side of the cylinder mount bracket. Attach the front bracket to the 4 lower mounting holes shown in the picture at bottom right. Use four (4) 1/2" x 1 1/2" bolts. Tighten finger tight.
2. Next, measure the correct number of shims to use to fill the gap between the bracket and the upper mounting hole. Install the 5/8" x 2-1/2" bolt, washers and shims in this location.
3. Tighten the 4 lower mounting bolts completely.
4. Tighten the upper mounting bolt. A nylon lock nut is used in this location as there may be a slight angular misalignment preventing full flat contact between these parts.
5. Install the left side plate (has 30 degree bend on front edge) with four (4) 1/2" x 1 1/2" bolts.
6. Install the right side plate with four (4) 1/2" x 1 1/2" bolts.
7. Install the top plate with four (4) 1/2" x 1 1/2" bolts as shown below.



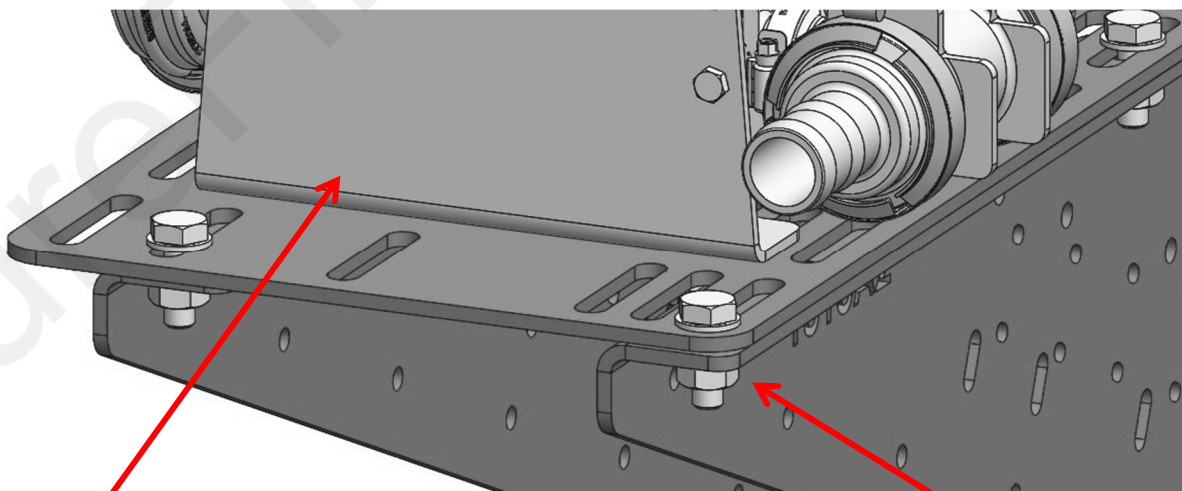


Step by Step Instructions PumpRight PR17 & PR30 Mounting with Fertilizer Plumbing to the Rear

The pump alignment illustrated in the picture to the right is the optimal location for alignment of bolt holes. However, the pump can be mounted further forward or rearward if desired.



1. Attach the top plate (400-1314A1) to the side plates using four (4) 1/2" x 1-1/2" Hex Head Bolts, flat washers, and flange nuts as shown below. Tighten finger tight.
2. Depending on desired configuration (front to back) use two middle slot rows (on bottom of base bracket indicated by arrow below) and bolt pump base to top plate using four (4) 1/2" x 1-1/2" Hex Head Bolts, flat washers, and flange nuts.
3. Inspect pump mounting for clearance and wrench tighten all bolts.



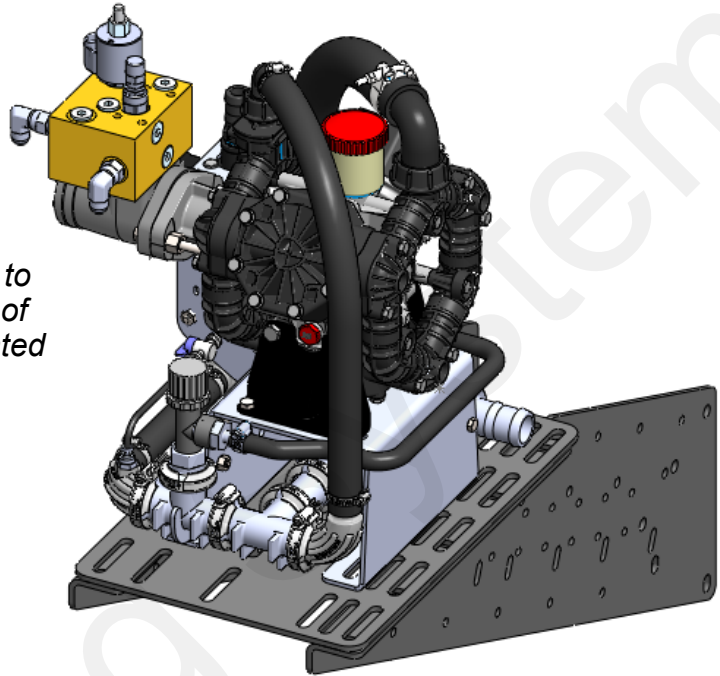
Step 2

Step 1

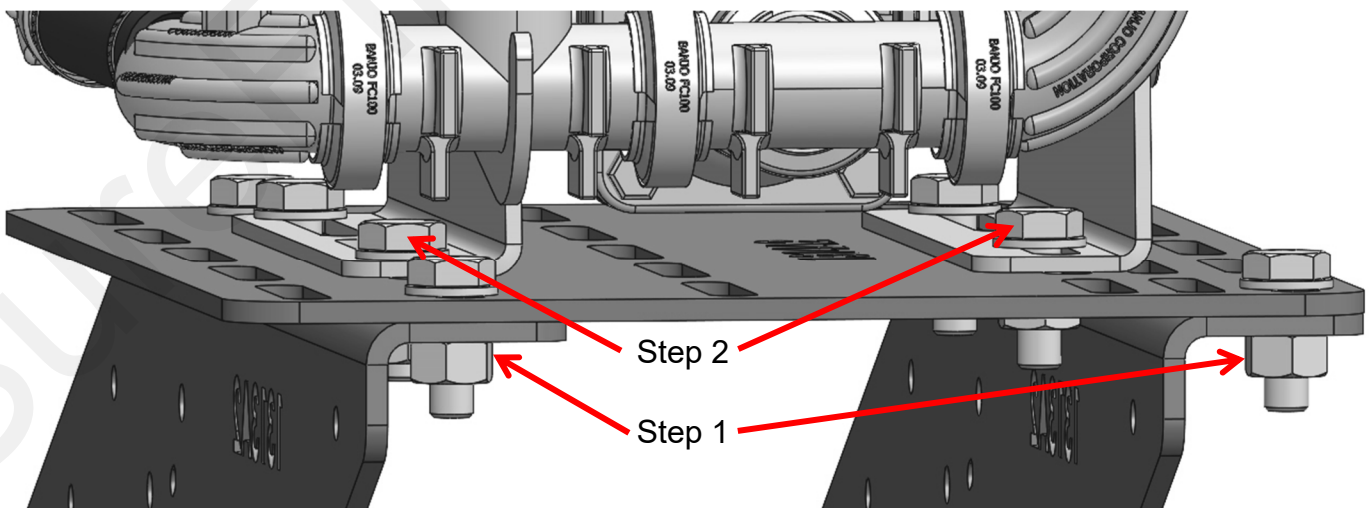


Step by Step Instructions PumpRight PR17 & PR30 Mounting with Fertilizer Plumbing to the Side

The pump alignment illustrated in the picture to the right is the optimal location for alignment of bolt holes. However, the pump can be mounted further forward or rearward if desired.



1. Attach the top plate (400-1314A1) to the side plates using four (4) 1/2" x 1-1/2" Hex Head Bolts, flat washers, and flange nuts as shown below. Tighten finger tight.
2. Depending on desired configuration (front to back) use two slot rows indicated by arrows below and bolt pump base to top plate using four (4) 1/2" x 1-1/2" Hex Head Bolts, flat washers, and flange nuts.
3. Inspect pump mounting for clearance and wrench tighten all bolts.

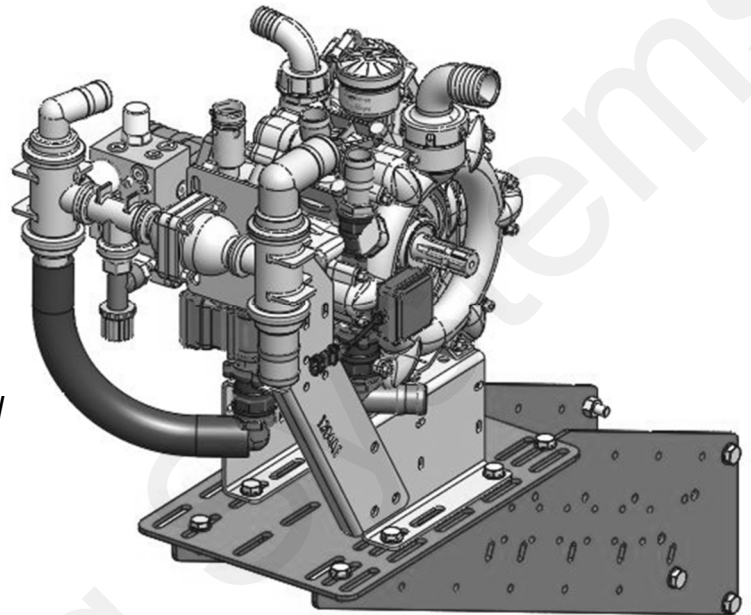




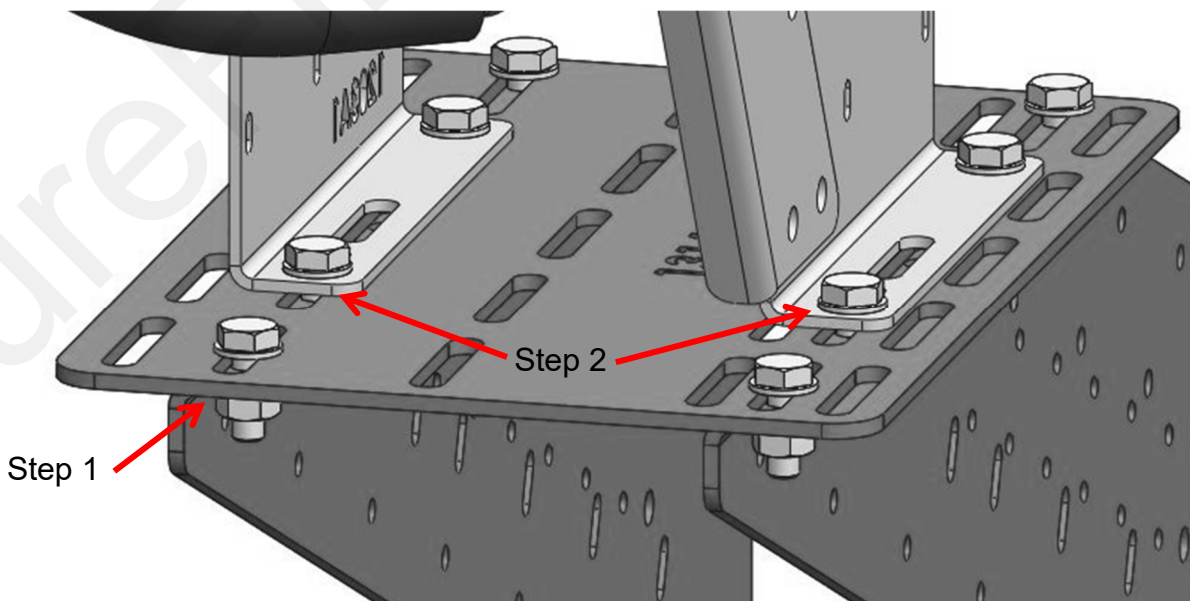
Step by Step Instructions PumpRight PR40 & D250 Mounting with Fertilizer Plumbing to the Rear

The pump alignment illustrated in the picture to the right is the optimal location for alignment of bolt holes. However, the pump can be mounted further forward or rearward if desired.

With larger PR40 & D250 pumps, mounting the pumps further forward will reduce stress on the bracket and planter frame mounting bolts.



1. Attach the top plate (400-1314A1) to the side plates using four (4) 1/2" x 1-1/2" Hex Head Bolts, flat washers, and flange nuts as shown below. Tighten finger tight.
2. Depending on desired configuration (front to back) use two slot rows indicated by arrows below and bolt pump base to top plate using four (4) 1/2" x 1-1/2" Hex Head Bolts, flat washers, and flange nuts.
3. NOTE: Far Right row of holes will overhang the side bracket and will not be used.
4. Inspect pump mounting for clearance and wrench tighten all bolts.

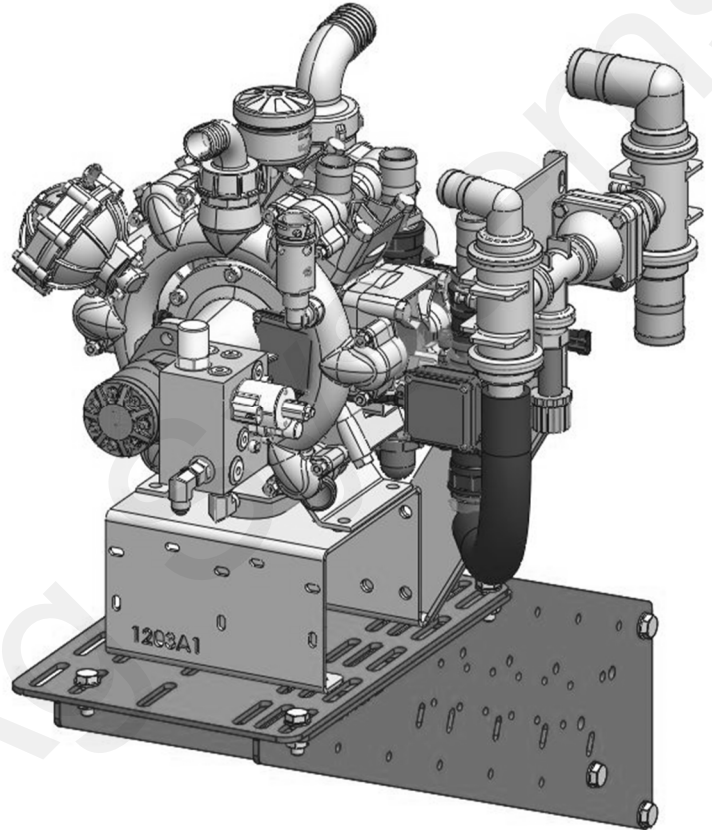




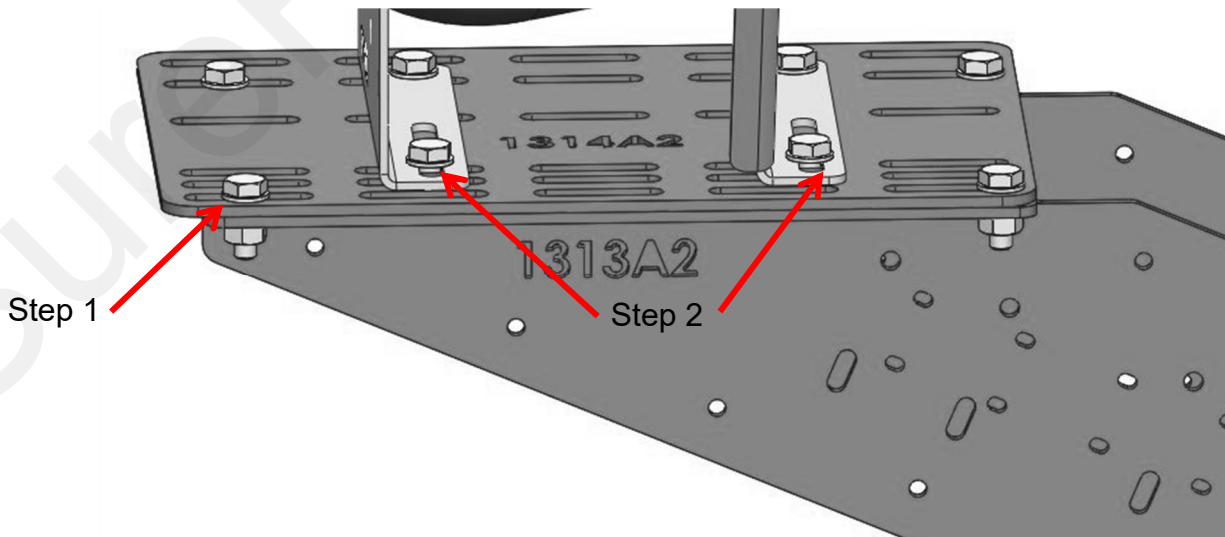
Step by Step Instructions PumpRight PR40 & D250 Mounting with Fertilizer Plumbing to the Side

The pump alignment illustrated in the picture to the right is the optimal location for alignment of bolt holes. However, the pump can be mounted further forward or rearward if desired.

With larger PR40 & D250 pumps, mounting the pumps further forward will reduce stress on the bracket and planter frame mounting bolts.



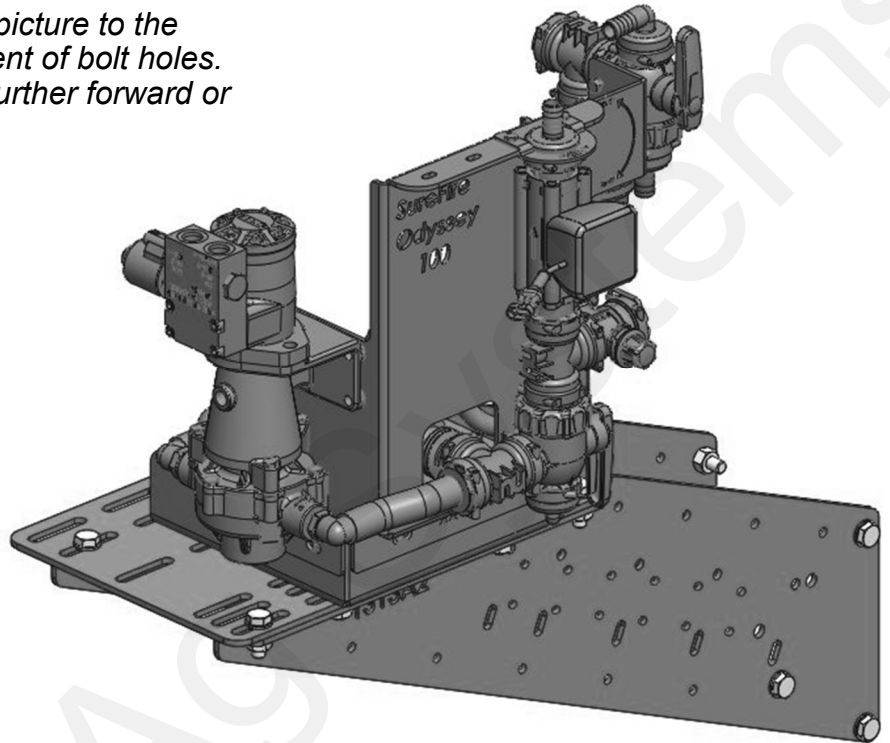
1. Attach the top plate (400-1314A1) to the side plates using four (4) 1/2" x 1-1/2" Hex Head Bolts, flat washers, and flange nuts as shown below. Tighten finger tight.
2. Attach the pump bracket to the top plate by bolting through the pump bracket flange, top plate and the side bracket flange, using four (4) 1/2" x 1-1/2" Hex Head Bolts, flat washers, and flange nuts.
3. Inspect pump mounting for clearance and wrench tighten all bolts.



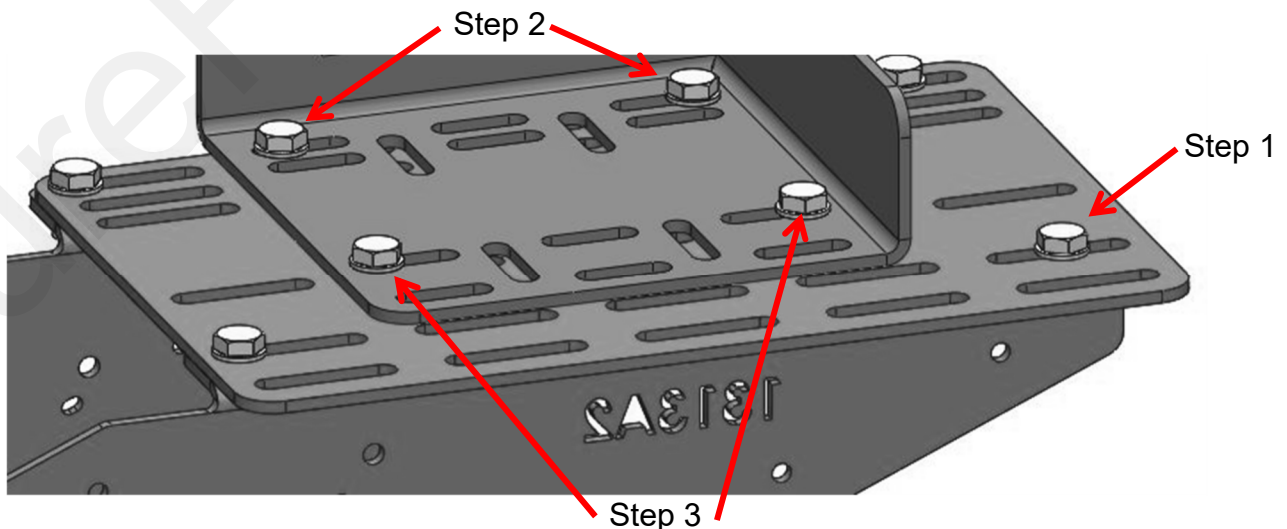


Step by Step Instructions Tower and Odyssey Mounting with Pumps to the Rear

The pump alignment illustrated in the picture to the right is the optimal location for alignment of bolt holes. However, the pump can be mounted further forward or rearward if desired.



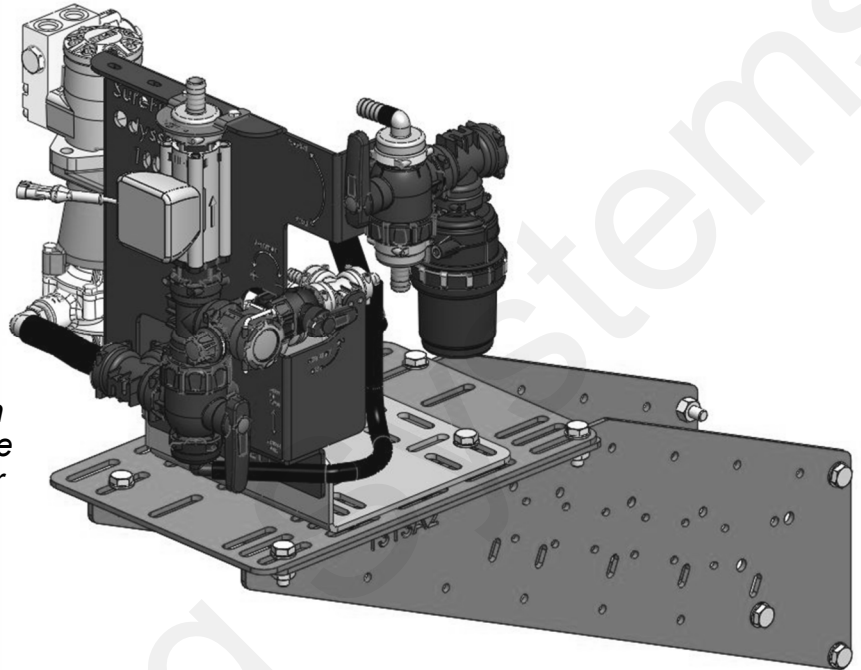
1. Attach the top plate (400-1314A1) to the side plates using four (4) 1/2" x 1-1/2" Hex Head Bolts, flat washers, and flange nuts in the four corners. Tighten finger tight.
2. Attach the right side of the pump bracket to the top plate by bolting through the pump bracket, top plate and the side bracket flange, using two (2) 1/2" x 1-1/2" Hex Head Bolts, flat washers, and flange nuts.
3. Use slots in this row to attach the left side of the pump bracket to the top plate, using two (2) 1/2" x 1-1/2" Hex Head Bolts, flat washers, and flange nuts.
4. Inspect pump mounting for clearance and wrench tighten all bolts.



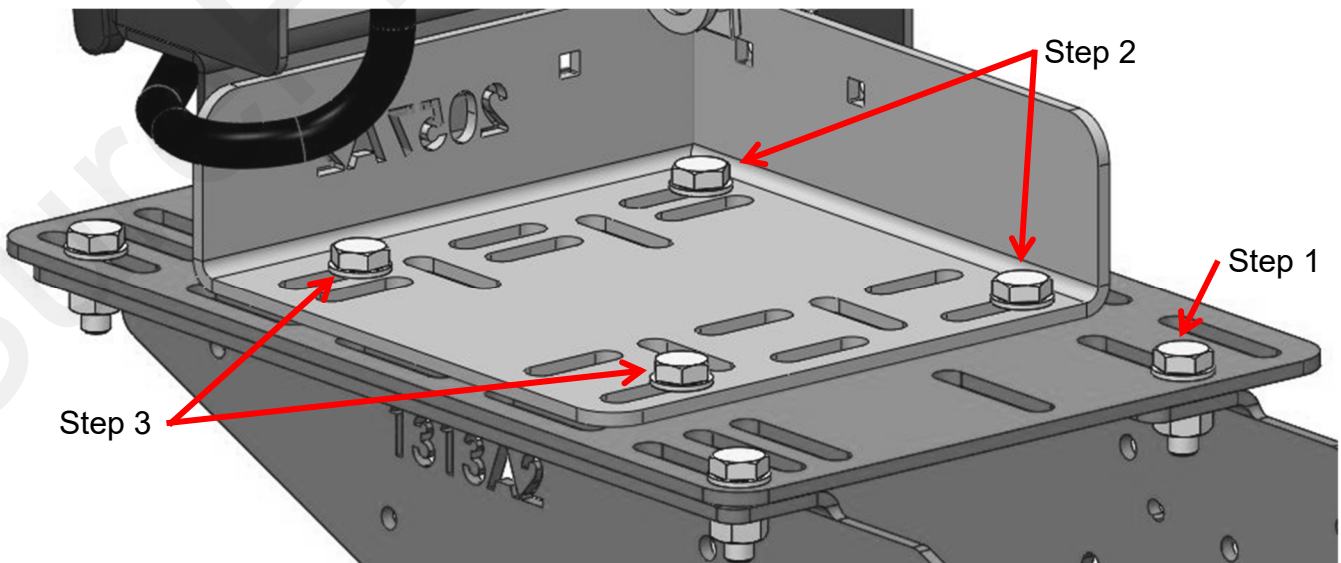


Step by Step Instructions Tower and Odyssey Mounting with Pumps to the Side

The pump alignment illustrated in the picture to the right is the optimal location for alignment of bolt holes. However, the pump can be mounted further forward or rearward if desired.



1. Attach the top plate (400-1314A1) to the side plates using four (4) 1/2" x 1-1/2" Hex Head Bolts, flat washers, and flange nuts in the four corners. Tighten finger tight.
2. Attach the right side of the pump bracket to the top plate by bolting through the pump bracket, top plate and the side bracket flange, using two (2) 1/2" x 1-1/2" Hex Head Bolts, flat washers, and flange nuts.
3. Use slots in this row to attach the left side of the pump bracket to the top plate, using two (2) 1/2" x 1-1/2" Hex Head Bolts, flat washers, and flange nuts.
4. Inspect pump mounting for clearance and wrench tighten all bolts.

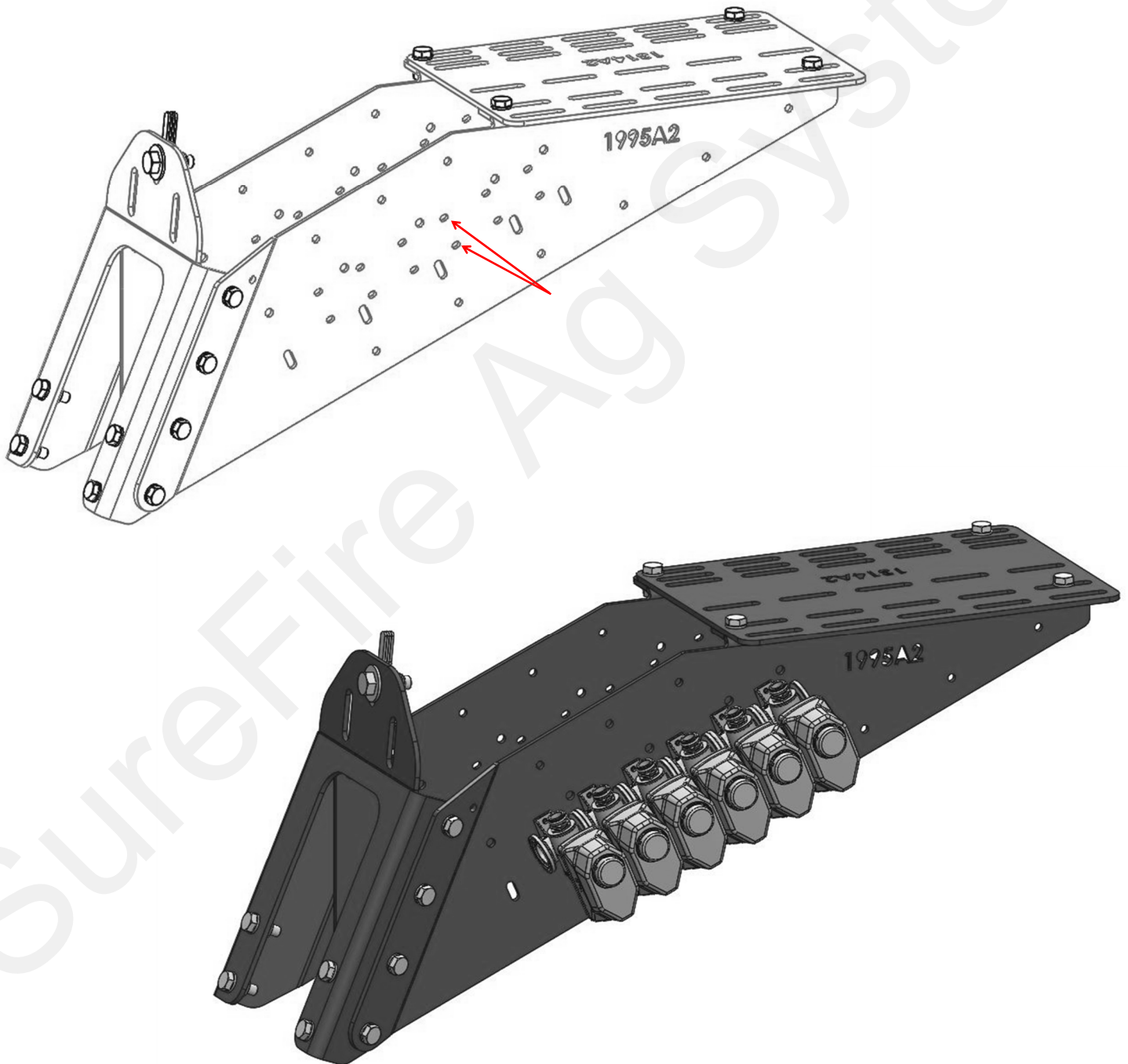




KZ Electric Section Valve Mounting

Up to six (6) KZ TX2 Section Valves may be mounted to either side brackets using the smaller bolt holes in the center as illustrated below.

Note: This configuration will work with standard CCS planters but will not work with planters with full size row boxes in most cases. An additional section valve mounting bracket will be required.





Banjo Electric Section Valve Mounting

Up to three (3) Banjo Section Valves may be mounted to either side bracket using the larger bolt hole and slotted hole in the center as illustrated below.

Note: This configuration will work with standard CCS planters but will not work with planters with full size row boxes in most cases. An additional section valve mounting bracket will be required.

