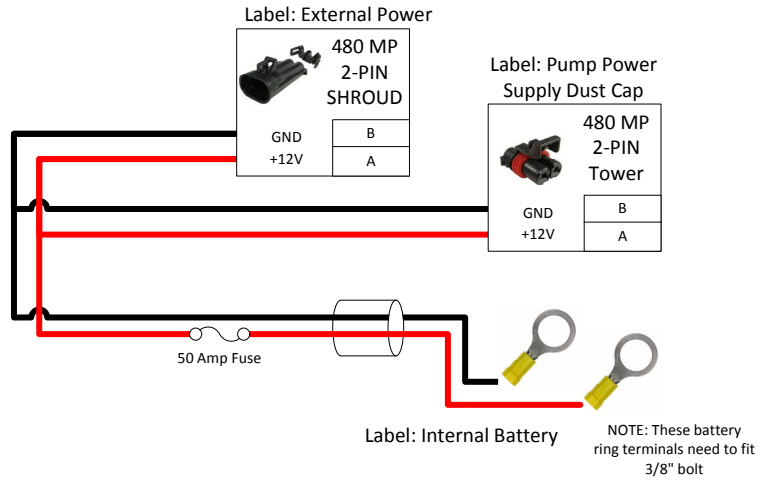


208-05-2960Y1

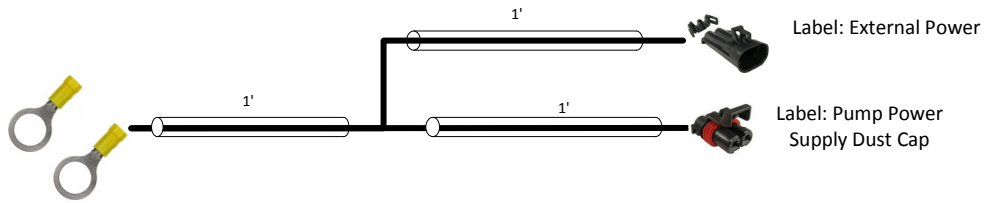
QuickDraw Protection Harness



Part No:	208-05-2960Y1	Drawn By:	Albert E. Popp		
Description:	QuickDraw Protection Harness	Last Edit Date:	6/3/2015 9:32:13 AM	Revision	A-01
Copyright 2014 SureFire Ag Systems, Reproduction or other use of drawing without express written permission from SureFire Ag Systems is forbidden		Page of Pages	1	of	3


208-05-2960Y1

# QuickDraw Protection Harness




## REVISIONS

A-01 Original Drawing

	Part No:	208-05-2960Y1	Drawn By:	Albert E. Popp		
	Description:	QuickDraw Protection Harness	Last Edit Date:	6/3/2015 9:32:13 AM	Revision	A-01
	Copyright 2014 SureFire Ag Systems, Reproduction or other use of drawing without express written permission from SureFire Ag Systems is forbidden			Page of Pages	2	of 3

208-05-2960Y1

QuickDraw Protection Harness

	Part No:	208-05-2960Y1	Drawn By:	Albert E. Popp		
	Description:	QuickDraw Protection Harness	Last Edit Date:	6/3/2015 9:32:13 AM	Revision	A-01
	Copyright 2014 SureFire Ag Systems, Reproduction or other use of drawing without express written permission from SureFire Ag Systems is forbidden			Page of Pages	3	of 3