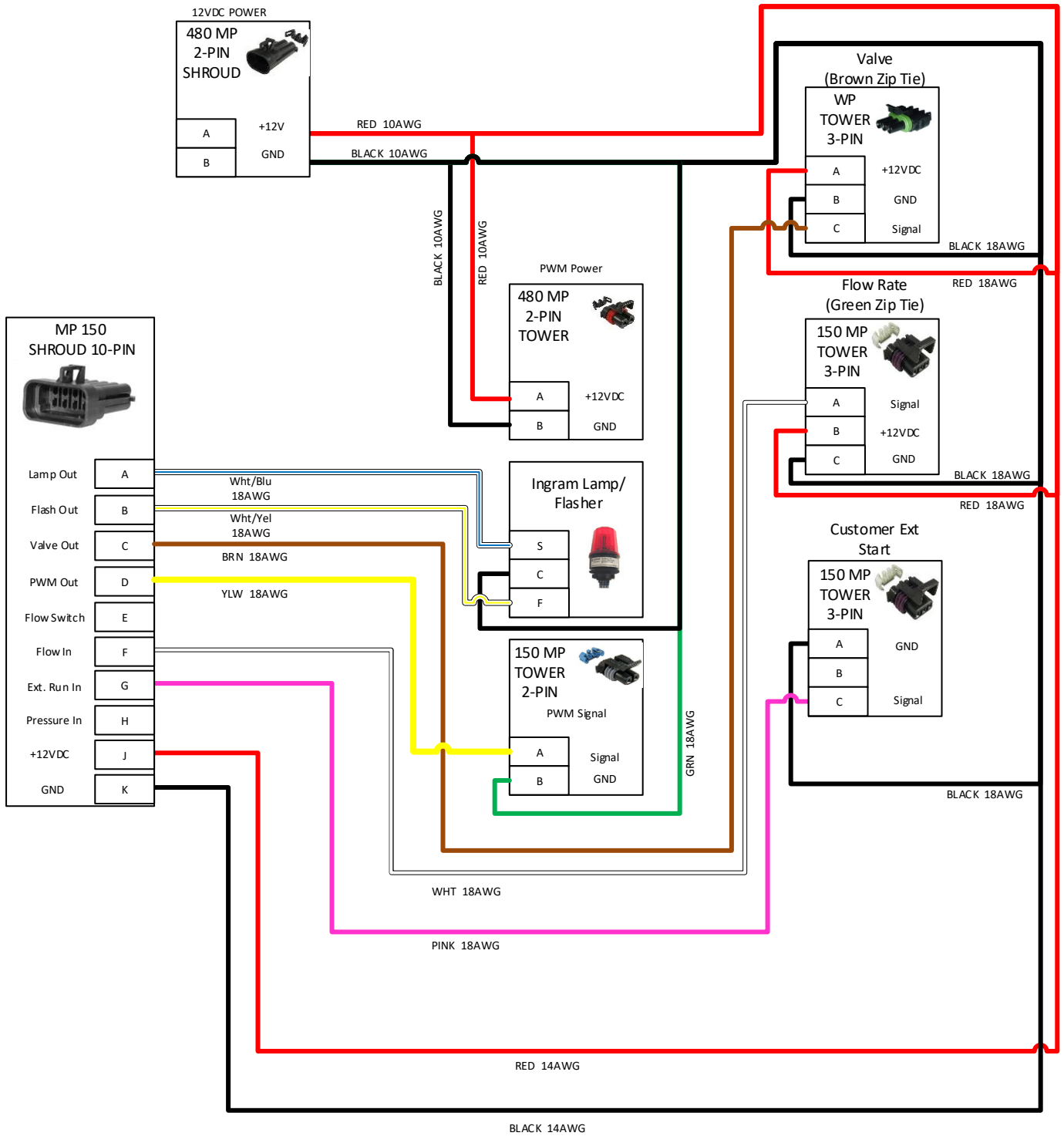


208-02-2215Y1

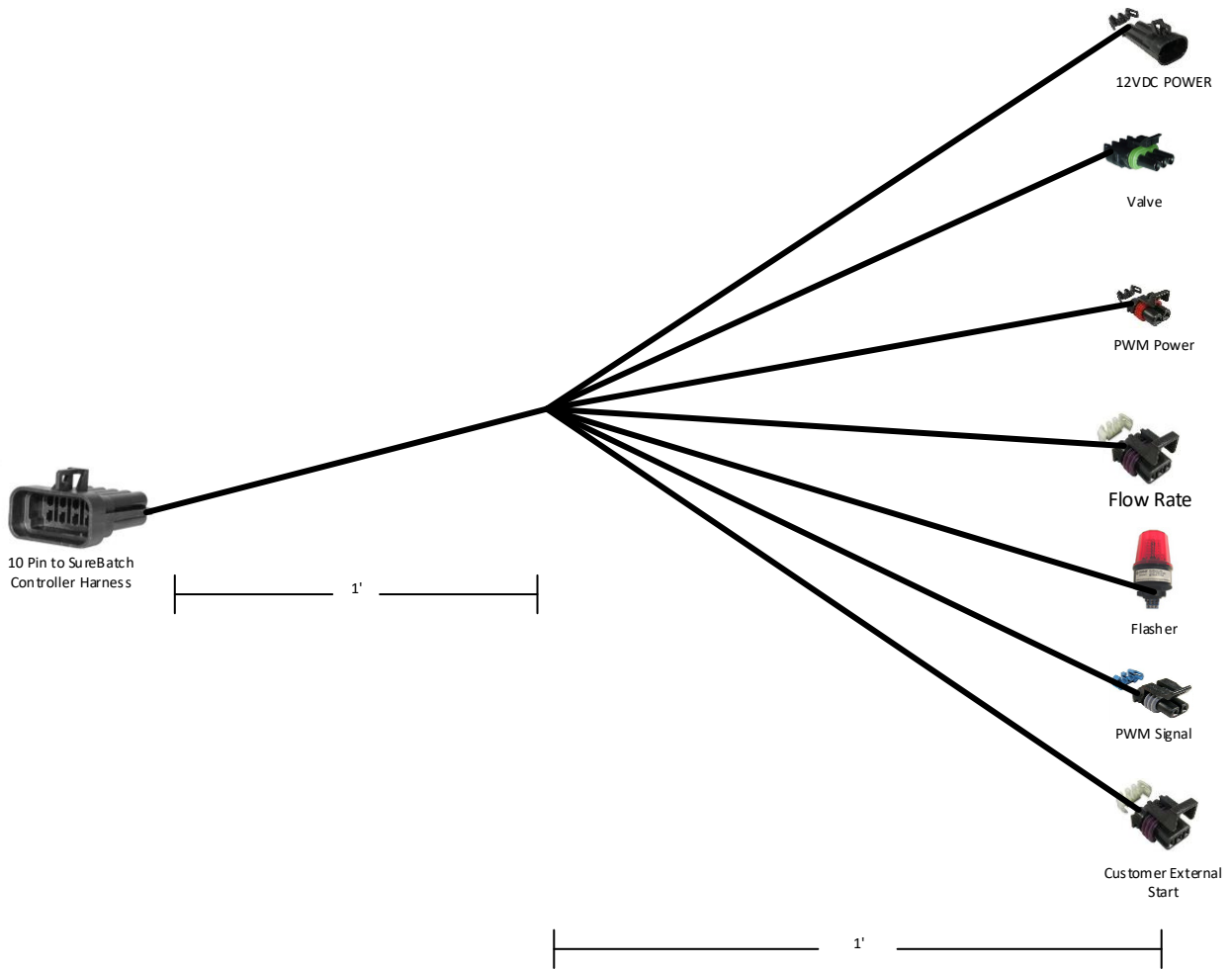
SureBatch Split Harness, Final Harness



Part No:	208-02-2215Y1	Drawn By:	Albert E. Popp		
Description:	SureBatch Split Harness, Final Harness	Last Edit Date:	8/3/2018 1:58:39 PM	Revision	
Copyright 2016 SureFire Ag Systems, Reproduction or other use of drawing without express written permission from SureFire Ag Systems is forbidden		Page of Pages	1	of	2


208-02-2215Y1

SureBatch Split Harness, Final Harness



**REVISIONS**

A-01 Original Drawing

	Part No:	208-02-2215Y1	Drawn By:	Albert E. Popp		
	Description:	SureBatch Split Harness, Final Harness	Last Edit Date:	8/3/2018 1:58:39 PM	Revision	
	Copyright 2016 SureFire Ag Systems, Reproduction or other use of drawing without express written permission from SureFire Ag Systems is forbidden			Page of Pages	2	of 2