



396-001310

John Deere 1770/1775NT

40 Ft - 16 Row

Hitch Mounted Tank Instructions

Planter Manufacturer:



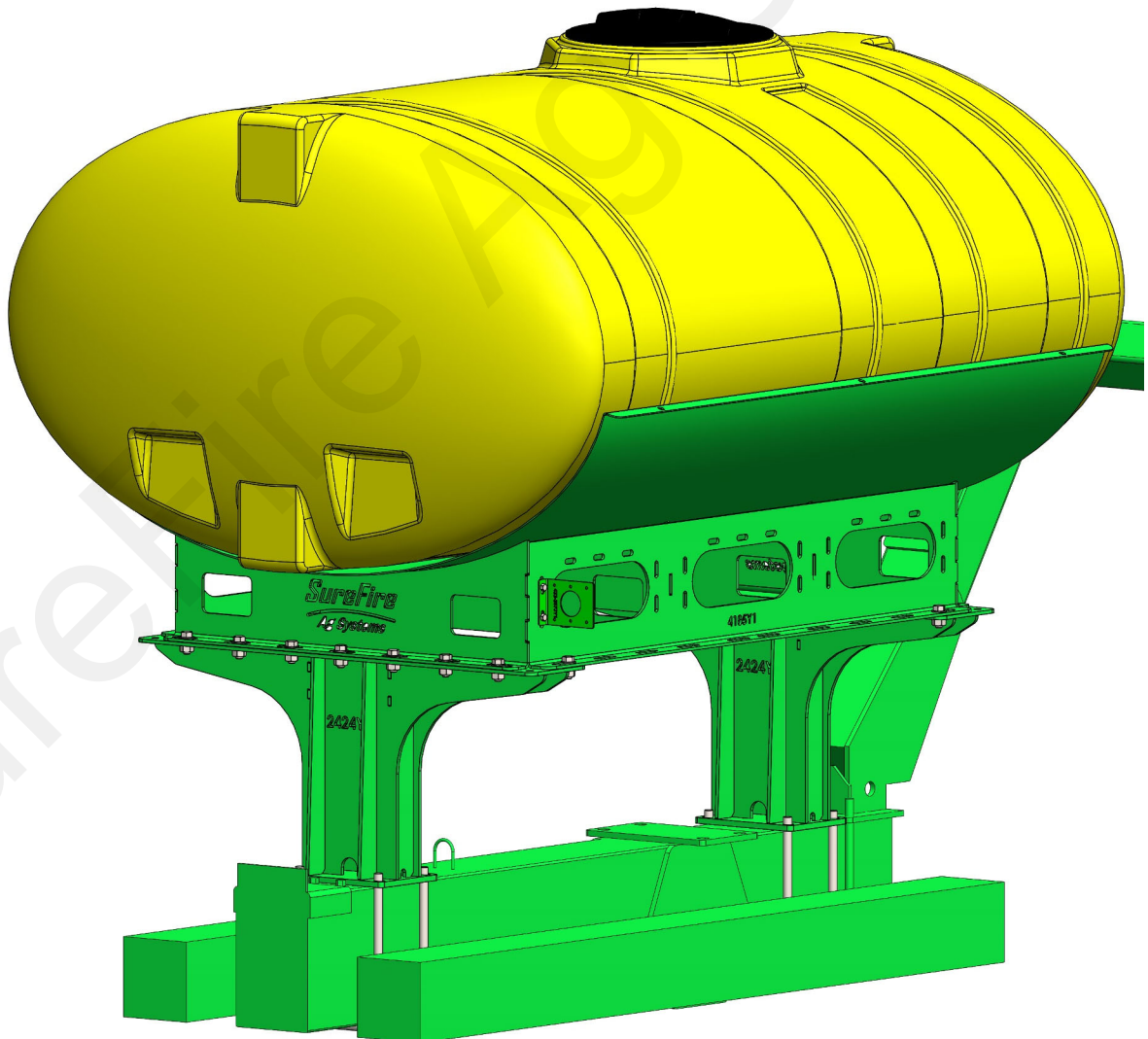
JOHN DEERE

Kit Number:

530-01-250400: 400 Gallon Elliptical Tank Kit

530-01-250500: 500 Gallon Elliptical Tank Kit

530-01-250550: 600 Gallon Elliptical Tank Kit

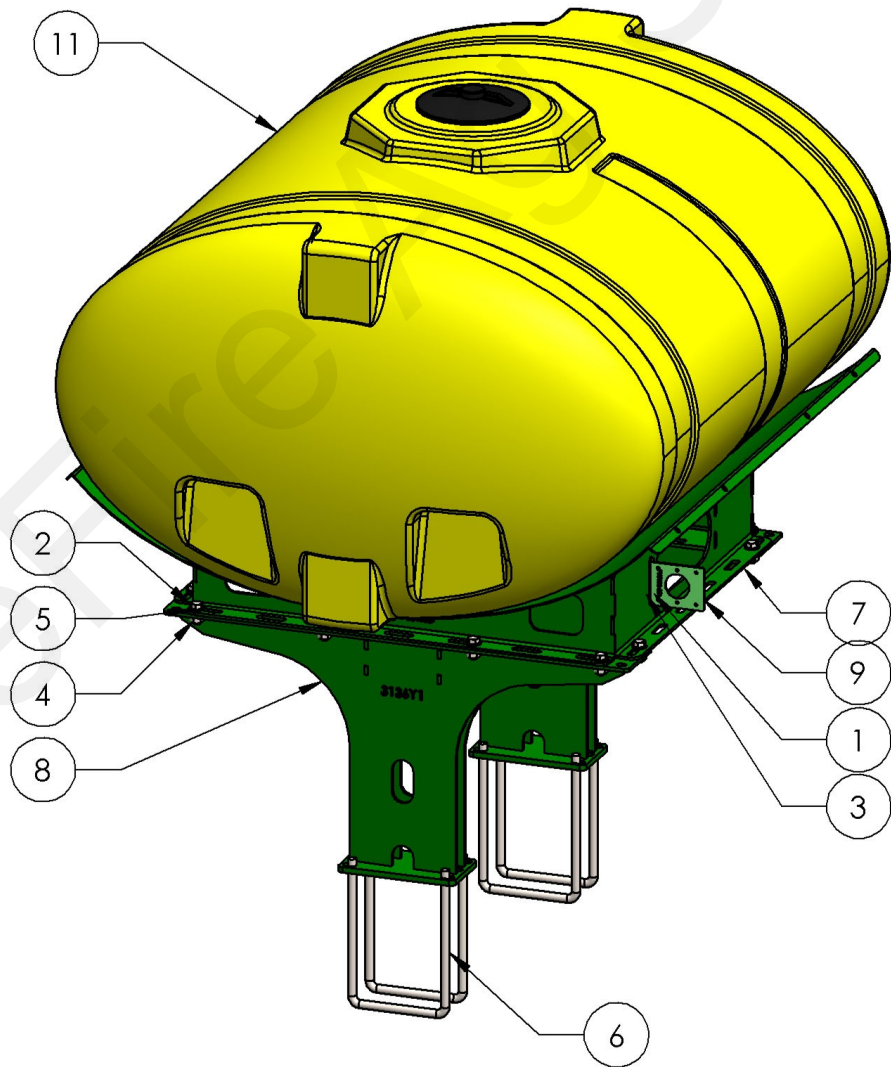




Parts List and Exploded View

Kit Number: 530-01-250400 (400 Gal)

ITEM NO.	PART NUMBER	DESCRIPTION	QTY.
1	300-060012-5	3/8" x 3/4" Hex Head Bolt - G5	2
2	300-100108-5	5/8" x 1-1/2" Hex Head Bolt - G5	12
3	323-06	3/8" Flange Nut	2
4	323-10	5/8" Flange Nut	12
5	330-10	5/8" Flat Washer	12
6	380-1066	3/4" U-Bolt Kit - Fits 8"x12" tube	4
7	421-1333A2-GN	400 Gallon Elliptical Cradle, Green	1
8	421-3136Y1-GN	22" JD Hitch Mount Pedestal	2
9	422-2678Y1	Bracket for Vacuum Gauge on JD Planters	1
10	525-3000	3" Tank Strap Kit for 400-1000 Gallon	2
11	727-01-HE0400-57-Y	Elliptical Tank - 400 Gal - Yellow	1
12	521-00-100255	John Deere CCS Gauge Extension Assembly	1

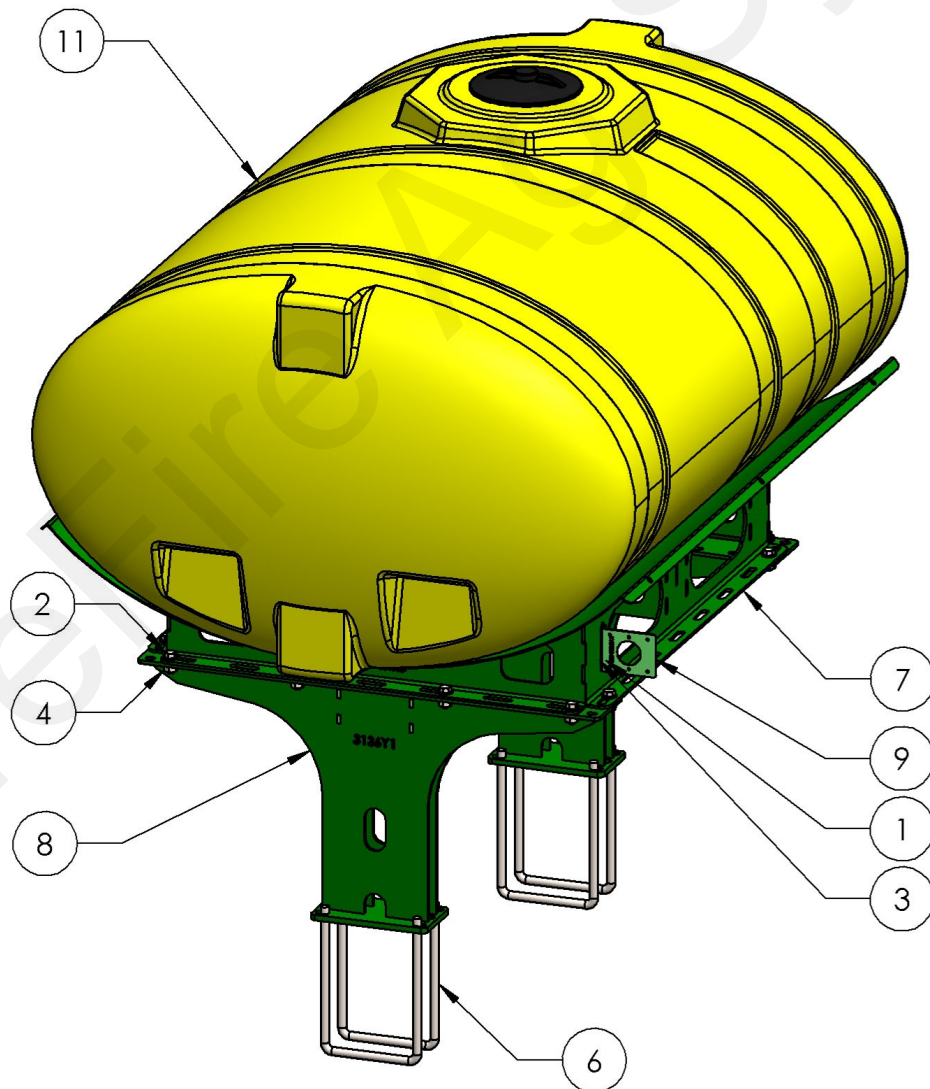




Parts List and Exploded View

Kit Number: 530-01-250500 (500 Gal)

ITEM NO.	PART NUMBER	DESCRIPTION	QTY.
1	300-060012-5	3/8" x 3/4" Hex Head Bolt - G5	2
2	300-100108-5	5/8" x 1-1/2" Hex Head Bolt - G5	12
3	323-06	3/8" Flange Nut	2
4	323-10	5/8" Flange Nut	12
5	330-10	5/8" Flat Washer	12
6	380-1066	3/4" U-Bolt Kit - Fits 8"x12" tube	4
7	421-1329A2-GN	500 Gallon Elliptical Cradle, Green	1
8	421-3136Y1-GN	22" JD Hitch Mount Pedestal	2
9	422-2678Y1	Bracket for Vacuum Gauge on JD Planters	1
10	525-3000	3" Tank Strap Kit for 400-1000 Gallon	2
11	727-01-HE0500-57-OS-Y	Elliptical Tank - 500 Gal - Yellow	1
12	521-00-100255	John Deere CCS Gauge Extension Assembly	1

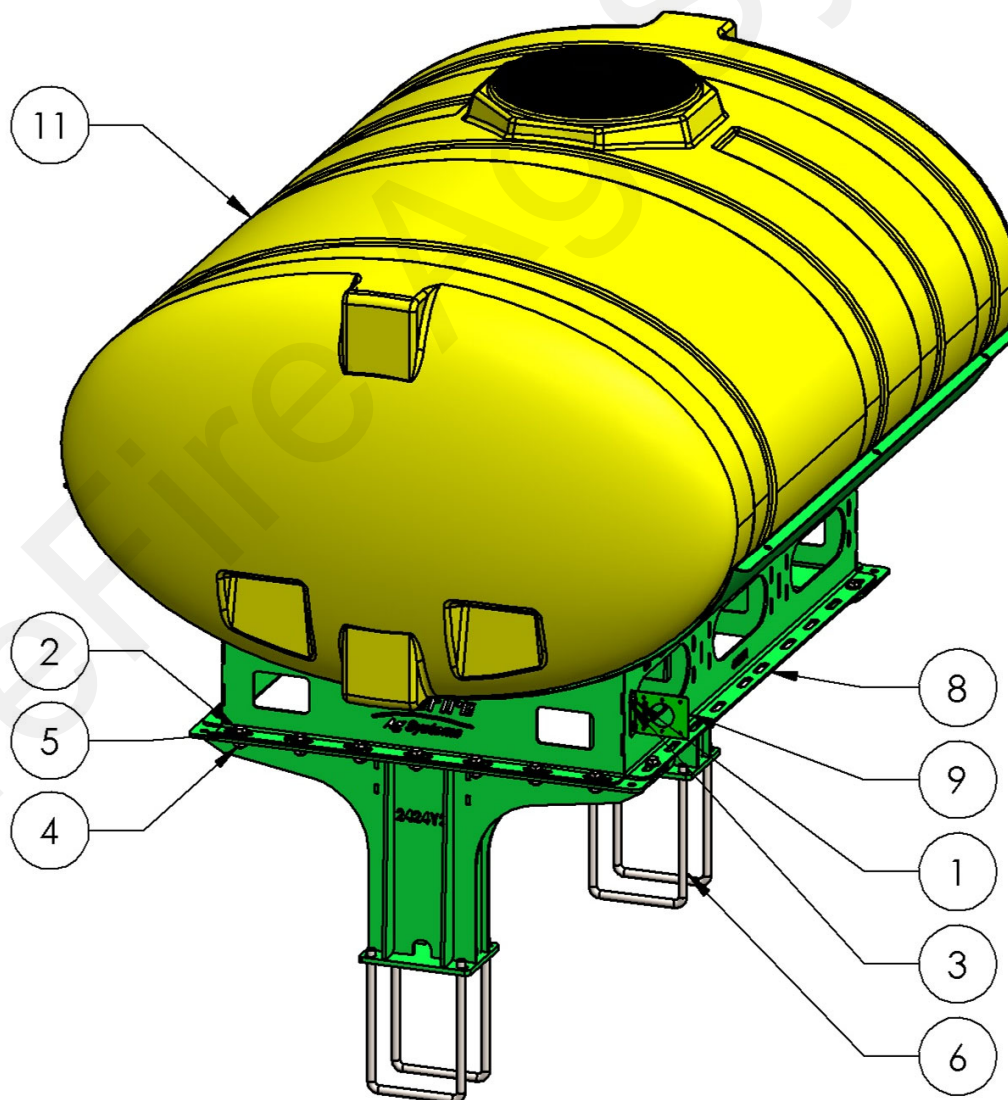




Parts List and Exploded View

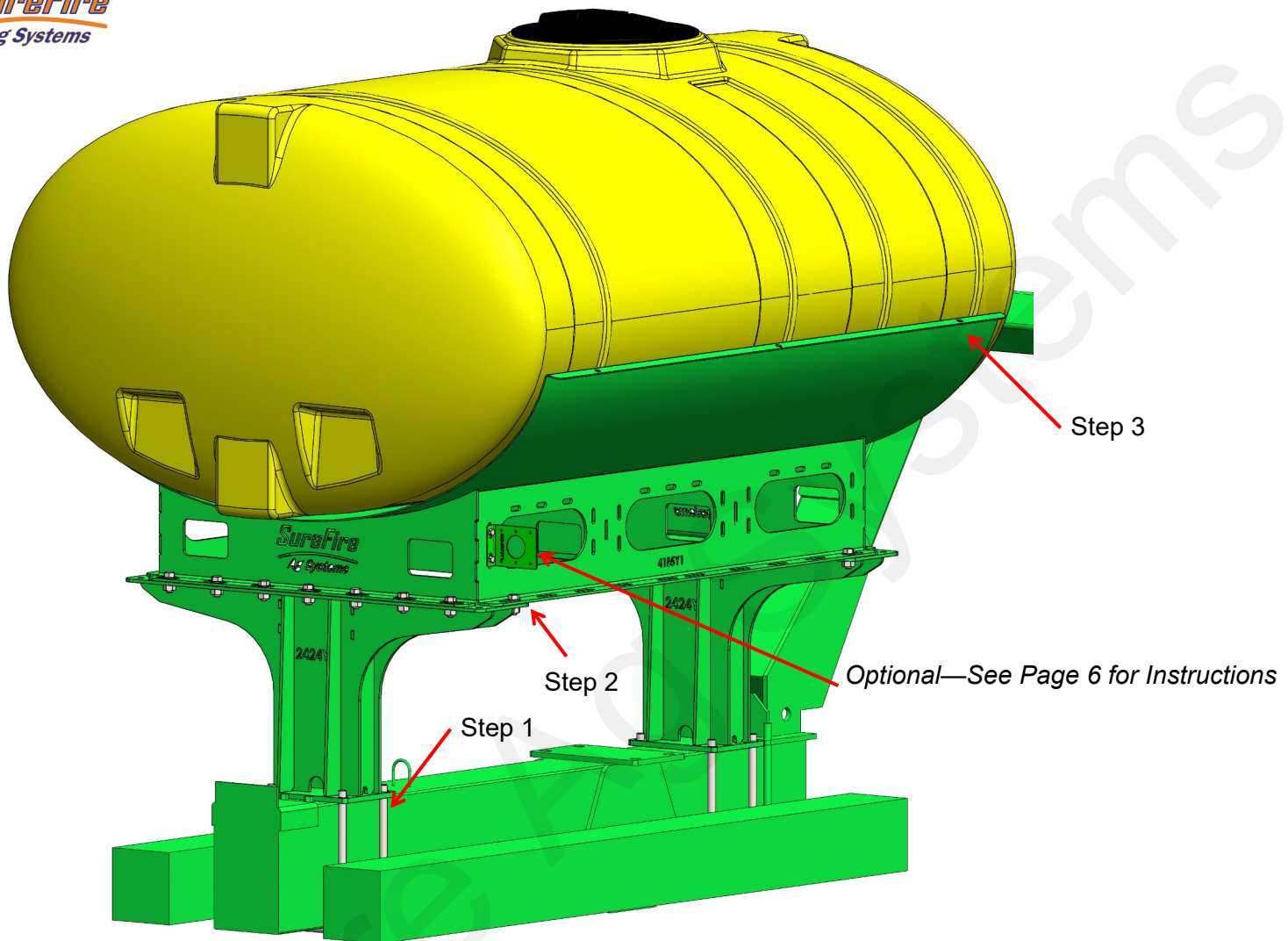
Kit Number: 530-01-250550 (600 Gal)

ITEM NO.	PART NUMBER	DESCRIPTION	QTY.
1	300-060012-5	3/8" x 3/4" Hex Head Bolt - G5	2
2	300-100108-5	5/8" x 1-1/2" Hex Head Bolt - G5	18
3	323-06	3/8" Flange Nut	2
4	323-10	5/8" Flange Nut	18
5	330-10	5/8" Flat Washer	18
6	380-1066	3/4" U-Bolt Kit - Fits 8"x12" tube	4
7	421-2424Y2-GN	20" 600-750 Gallon Tank Pedestal	2
8	421-4105Y1-GN	600 Gallon Elliptical Cradle, Green	1
9	422-2678Y1	Bracket for Vacuum Gauge on JD Planters	1
10	525-750	3" Tank Strap Kit for 600/750 Gallon	3
11	727-01-HE0600-64-CS-Y	Elliptical Tank - 500 Gal - Yellow	1
12	521-00-100255	John Deere CCS Gauge Extension Assembly	1





Step by Step Instructions



General Tank Mounting Instructions:

**It is recommended to remove existing vacuum gauge prior to tank installation and installation of new vacuum gauge bracket. See Page 6 for further instructions.*

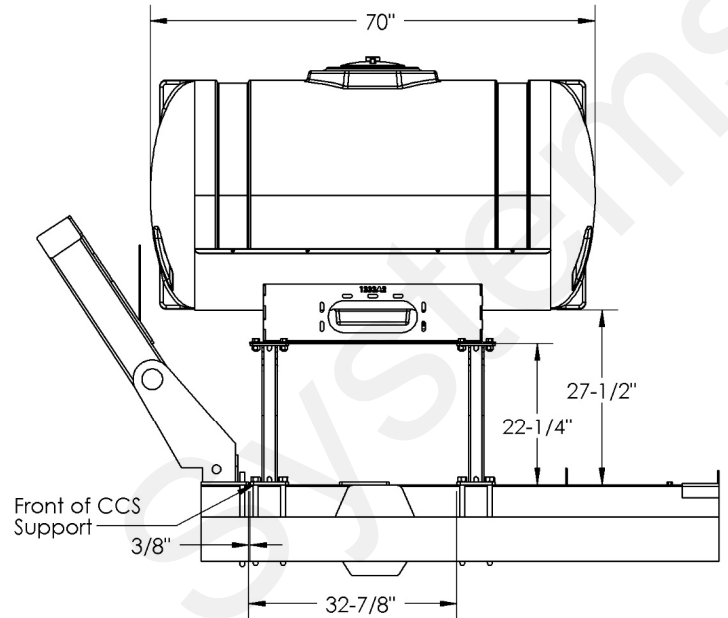
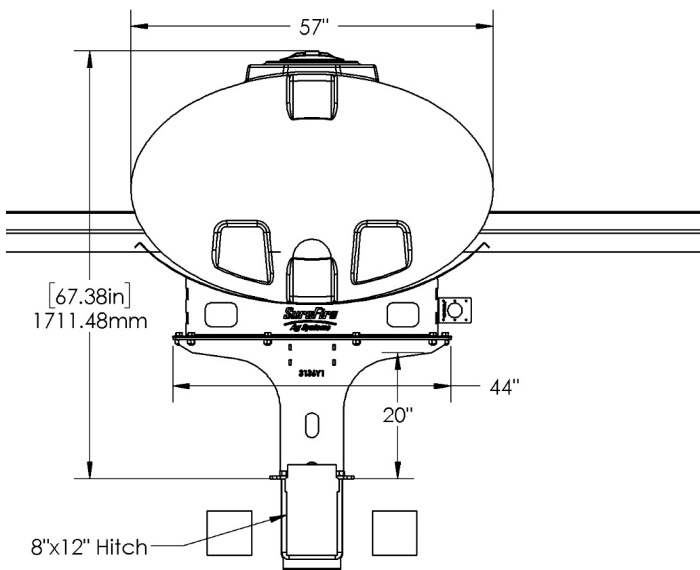
1. Position support stands per planter model on the following drawings. Loosely attach support stand with 3/4" u-bolts.
2. Place tank cradle on support stands. Bolt loosely with 5/8" bolts. (Tip: 500 gallon tank cradle can be mounted with sump forward or rearward.)
3. Install tank and secure with straps. (This step may have already been completed)
4. Inspect tank and tank brackets for interference and tighten all bolts.
5. Tighten straps again after the tank has been filled.

NOTE: REFER TO THE FOLLOWING PAGES FOR SPECIFIC INSTALLATION GUIDES.

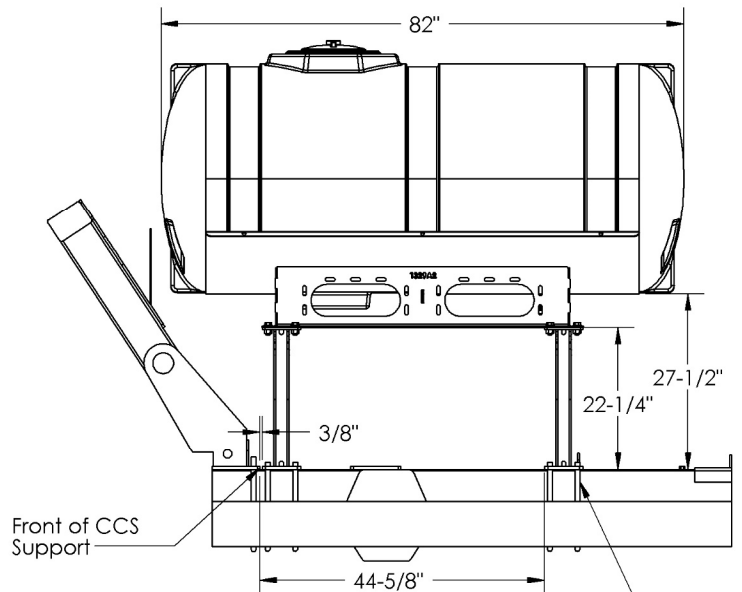
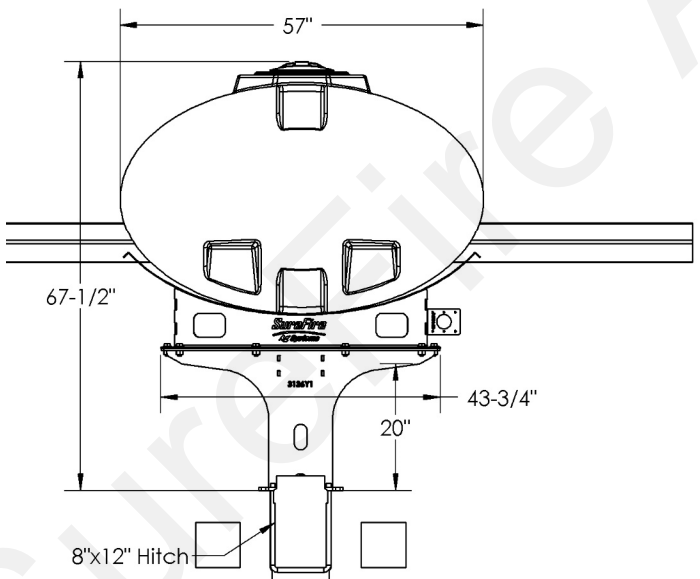


Tank Installation Guide

→
Front of Implement



400 Gallon on JD 1770NT/1775NT 16R30 -NO Refuge Tank, w/ or w/o markers



→
Front of Implement

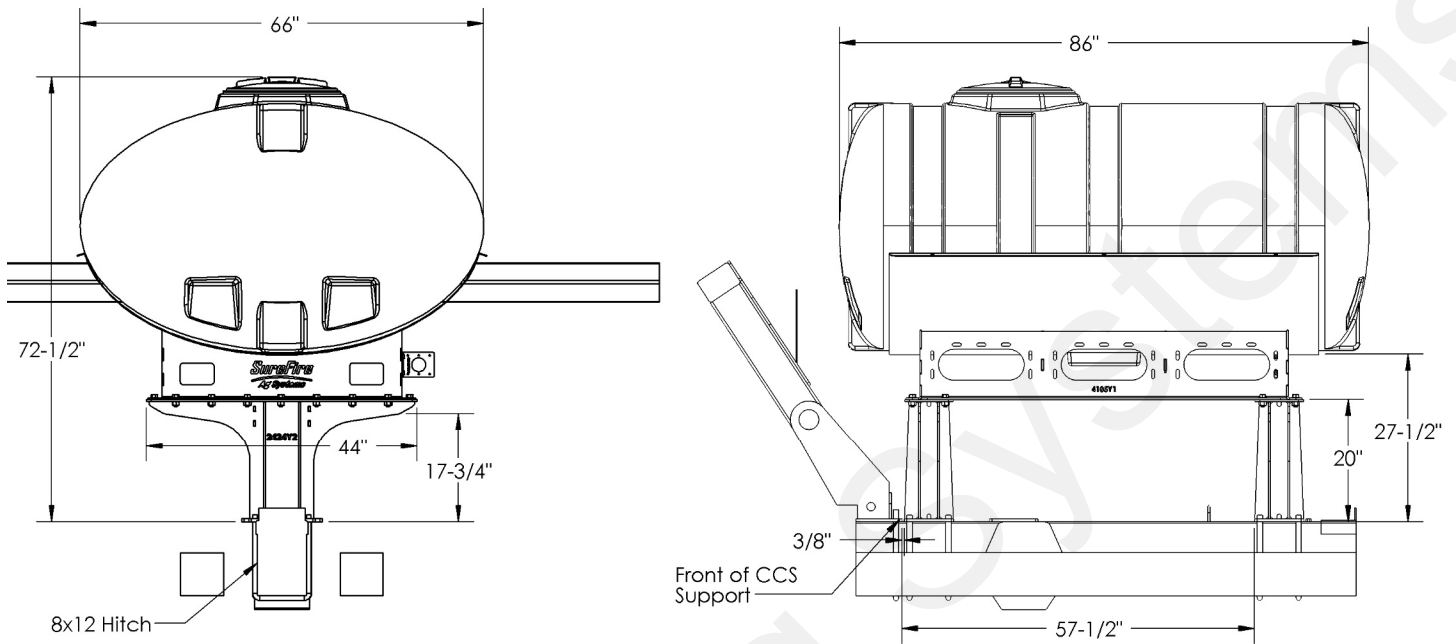
Front support bolt should mount just rearward of wing cylinder pin when folded

500 Gallon on JD 1770NT/1775NT 16R30 -NO Refuge Tank, w/ or w/o markers



Tank Installation Guide

←
Front of Implement



**600 Gallon on JD 1770NT/1775NT 16R30
-NO Refuge Tank, w/ or w/o markers**



Optional Vacuum Gauge Bracket Installation Instructions

The CCS vacuum gauge must be moved so it can be seen with the tank installed.

Instructions:

1. Mount 422-2678Y1 gauge bracket to the front of the tank cradle using 3/8" bolts and flange nuts. (Shown Below)
2. Remove gauge from current mount and mount vacuum gauge to new bracket using existing hardware.
3. Use 1/4" hose mender and 3/8" OD poly tubing (P/N 521-00-100255) to extend vacuum tubing to relocated vacuum gauge.

