



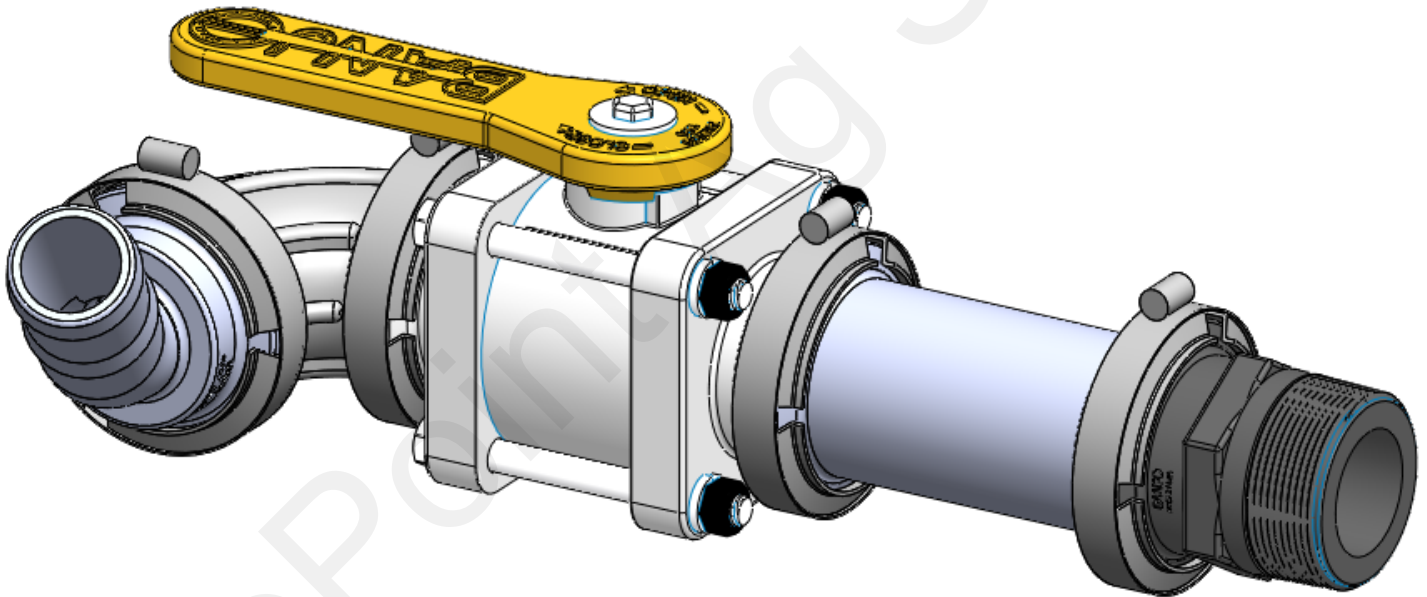
396-6350Y1

Plumbing Discharge Kit Installation Instructions

Kit Number: 520-00-103650

Kit Description:

Discharge Kit For JD 450/600 Factory Tank & PR17/PR30





Parts List and Exploded View

ITEM NO.	PART NUMBER	DESCRIPTION	QTY.
1	102-200MVCF	2" Manifold Standard Port Poly Valve	1
2	105-150G	1-1/2" EPDM Gasket	4
3	105-200150BRB45	2" Manifold x 1-1/2" HB - 45 Degree	1
4	105-200CPG	2" Manifold Coupling	1
5	105-200MPT	2" Manifold x 2" MPT	1
6	105-200SWP90	2" Manifold Sweep - 90 Degree	1
7	105-FC200	2" Manifold Clamp	4
8	280-150-ENF	1-1/2" Enforcer Fertilizer Solution Hose	25'
9	350-PS238	Pressure Seal HD Clamp, Size 238 - 1.625" - 2.125"	2

1. Thread 2" MPT into tank opening.
2. Using manifold clamps and gaskets, assemble fittings as shown.
3. Route 1-1/2" ENF hose to PR17/PR30.
4. Secure using hose clamps.

